



Installation Manual

Roller Shades

SMALL BRACKET

COULISSE EVE MOTION MOTORIZATION

Inside Mount • Jamb Mount • Outside Mount



Click, or scan with
your phone for
video instructions.



Click, or scan with your phone for video instructions.

Installation Manual – Roller Shades

SMALL BRACKET COULISSE EVE MOTION MOTORIZATION

Read the instructions carefully before assembling and using the product.
Assembling process can be completed by non-professionals. For indoor use only.

⚠️ WARNING



Window blind cord can **STRANGLE** your child.

To prevent strangulation, purchase cordless products or products with inaccessible cords.

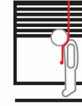
⚠️ ADVERTENCIA



La cuerda de la persiana puede **ESTRANGULAR** a su niño.

Para evitar el estrangulamiento, compre alternativas cuerda o productos con cuerdas inaccesibles.

⚠️ MISE EN GARDE



Votre enfant peut **S'ÉTRANGLER** avec un cordon de store.

Pour éviter la strangulation, achetez un produit sans cordon ou dont le cordon n'est pas accessible.

HANDLE WITH CARE – Antenna Attached

DO NOT OPEN WITH SHARP OBJECT – Remove Outer Wrap with Care

WHAT YOU NEED

We recommend wearing Safety Glasses when installing your Roller Shades.



- Drill
- Drill Bits
- Screwdriver
- Measuring Tape
- Pencil
- Level
- Safety Glasses

NEED HELP?

Contact Customer Service • phone: 1-914-665-4545 • email: cs@windowmodes.com



Click, or scan with your phone for video instructions.

Installation Manual – Roller Shades

SMALL BRACKET COULISSE EVE MOTION MOTORIZATION

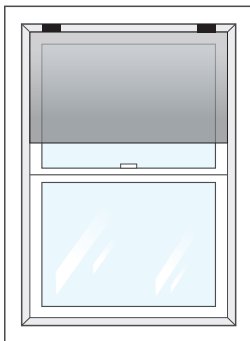
WHAT'S IN THE BOX

Depending on what you ordered, the fabric and the color of the hardware may be different.



- 1 Motorized Roller Shade
- 2 Small Base Brackets
- 2 Screw Cap Covers
- 2 Small Bracket Covers
- 1 Adjustable Idler End (Part 1)
- 1 Adjustable Idler End (Part 2)
- 1 Allen Key
- 4 Screws
- Charging Cable
(1 Charging Cable will come with each order)

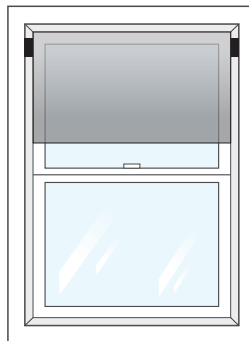
Mounting Options



Inside Mount

With an inside mount the window treatment will be mounted and hung on the inside of the window frame.

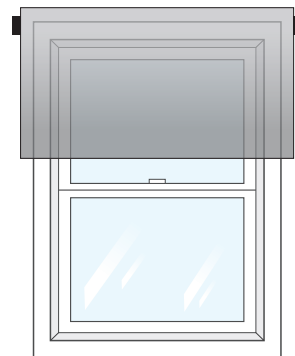
An inside mount has a minimum depth requirement.*



Jamb Mount

With a jamb mount the window treatment will be mounted into the vertical sides and hung on the inside of the window frame.

A jamb mount has a minimum depth requirement.*



Outside Mount

With an outside mount the window treatment will be mounted and hung on the outside of the window frame.

An outside mount does **not** have a minimum depth requirement.

NEED HELP?

Contact Customer Service • phone: 1-914-665-4545 • email: cs@windowmodes.com



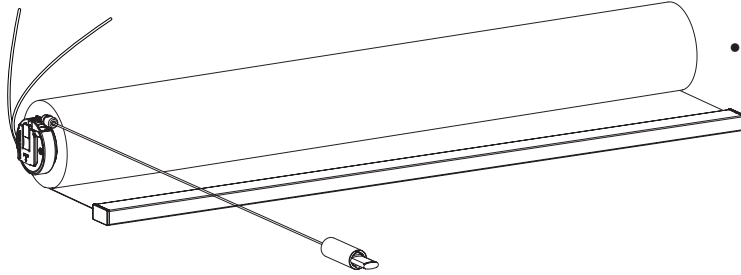
Click, or scan with your phone for video instructions.

Installation Manual – Roller Shades

SMALL BRACKET COULISSE EVE MOTION MOTORIZATION

We recommend reading through the instructions before installing your Roller Shades.

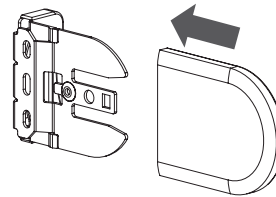
INSTALLING YOUR ROLLER SHADE



- Check your window before you install your Roller Shade. Brackets must be in line and level. The roller must be level to prevent fabric skewing.
- We recommend wearing Safety Glasses when installing your Roller Shade.
- We recommend wearing Work Gloves to keep your Roller Shade clean while installing it.

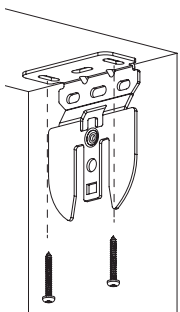
1. Assemble Brackets

- Attach Bracket Covers to Base Brackets by sliding them together.



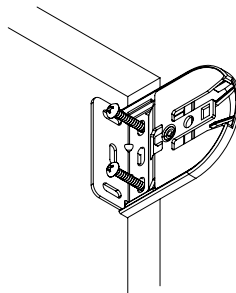
2. Mounting Your Brackets

- Place the assembled bracket against the window casing.
- Add Pencil Marks Where the two Screws Will Go.
- Pre-Drill the Two Holes.
- Install the Small Base Bracket with the Bracket Cover attached.
- Remove the Bracket Cover.
- Repeat on the Other Side.
- Make Sure Your Small Brackets are Level and in Line.



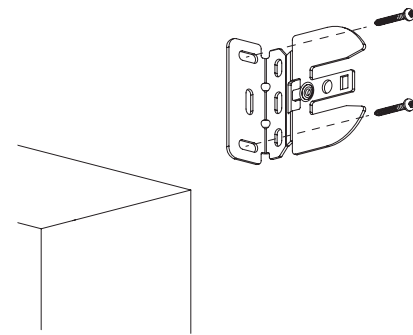
Mounting Brackets for INSIDE MOUNT

- For an Inside Mount the Brackets will be mounted on the inside of the window frame.



Mounting Brackets for JAMB MOUNT

- For a Jamb Mount the Brackets will be mounted into the vertical sides on the inside of the window frame.



Mounting Brackets for OUTSIDE MOUNT

- For an Outside Mount the Brackets will be mounted on the outside of the window frame.

NEED HELP?

Contact Customer Service • phone: 1-914-665-4545 • email: cs@windowmodes.com



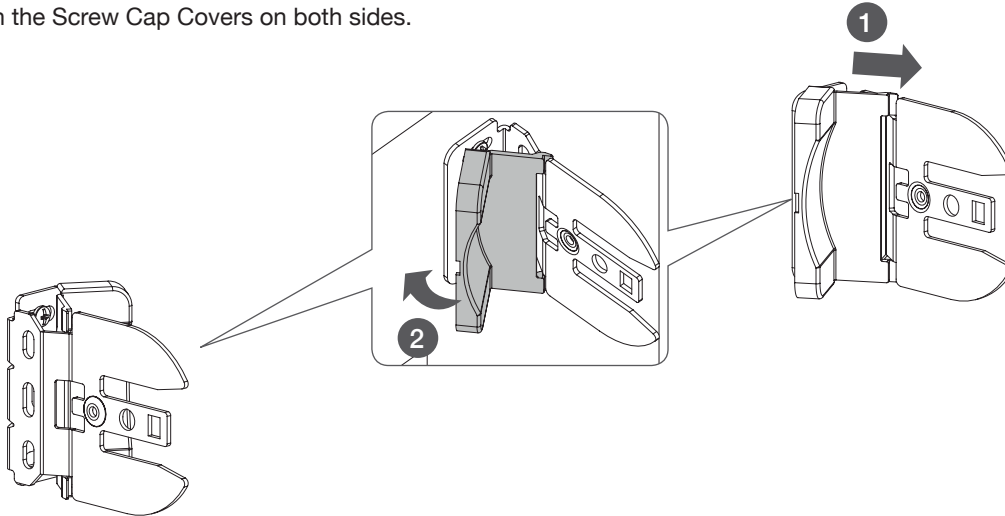
Click, or scan with your phone for video instructions.

Installation Manual – Roller Shades

SMALL BRACKET COULISSE EVE MOTION MOTORIZATION

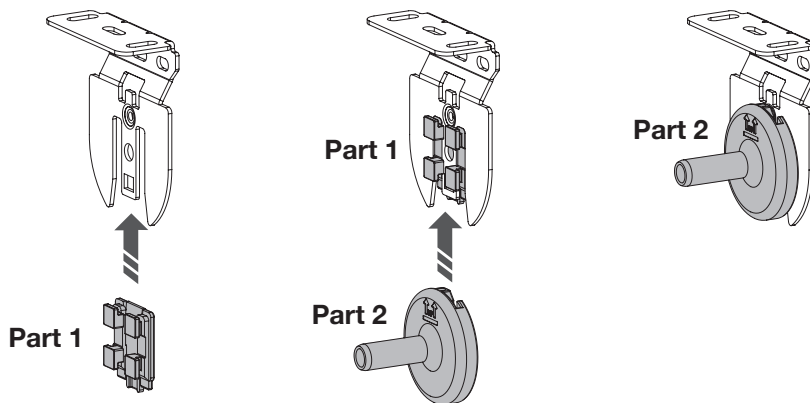
3. Screw Cap Covers

- Attach the Screw Cap Covers on both sides.



4. Adjustable Idler End Part 1 and Part 2

- Slide Part 1 of the Adjustable Idler End on the bracket that will be opposite of the bead chain mechanism.
- Make Sure That the “Metal” Arrow on the Back of Adjustable Idler End Part 1 is Pointing Up.
- Slide Part 2 of the Adjustable Idler End onto the same bracket.
- Make Sure the Arrows on the Front of the idler end are Pointing Up.



NEED HELP?

Contact Customer Service • phone: 1-914-665-4545 • email: cs@windowmodes.com



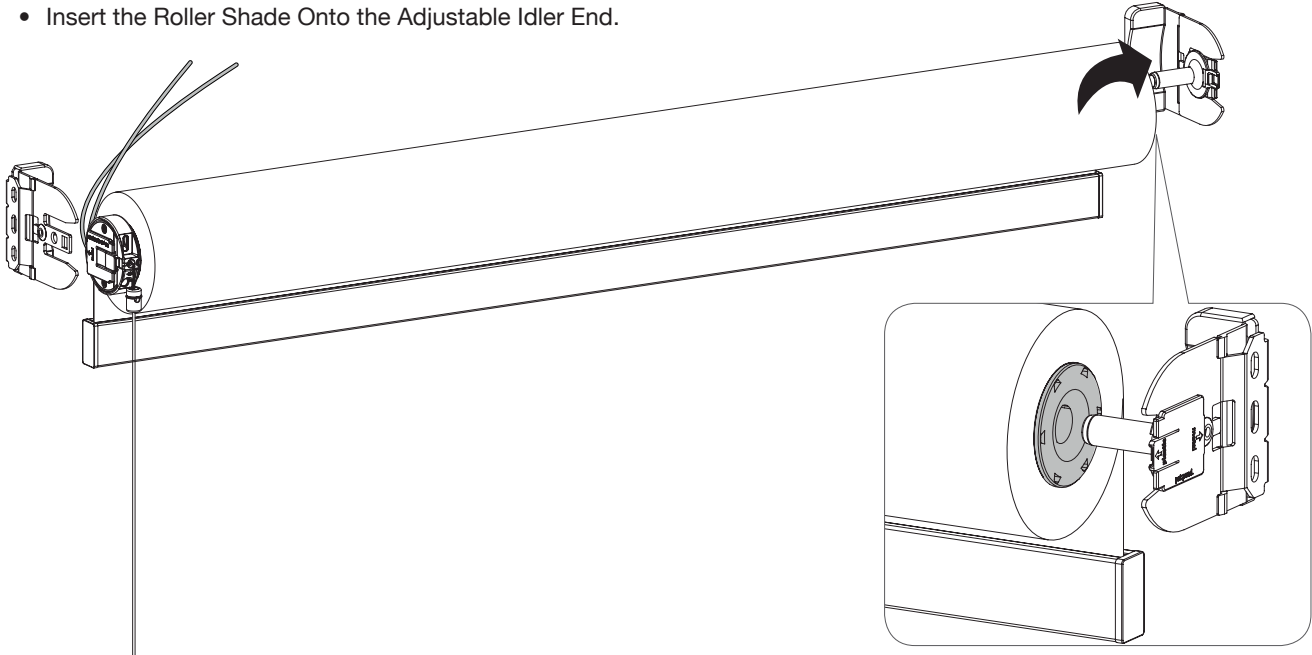
Click, or scan with your phone for video instructions.

Installation Manual – Roller Shades

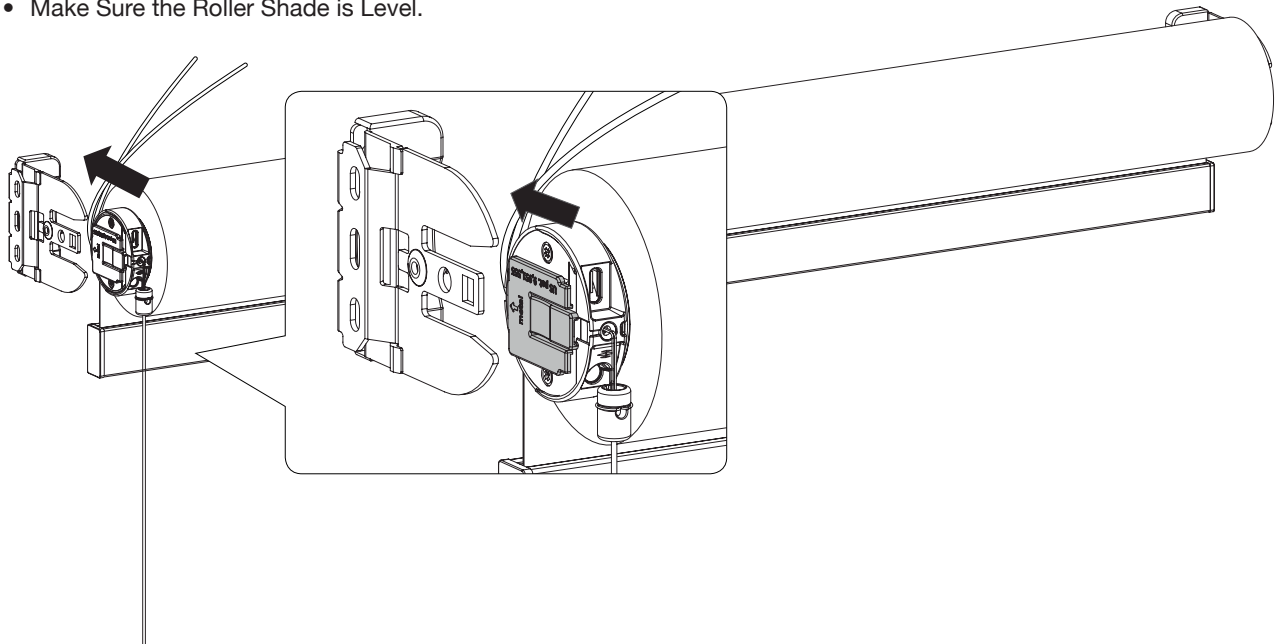
SMALL BRACKET COULISSE EVE MOTION MOTORIZATION

5. Hang the Roller Shade

- Insert the Roller Shade Onto the Adjustable Idler End.



- Slide the other end of the roller shade onto the opposite bracket.
- Make Sure the Roller Shade is Level.



NEED HELP?



Click, or scan with your phone for video instructions.

Installation Manual – Roller Shades

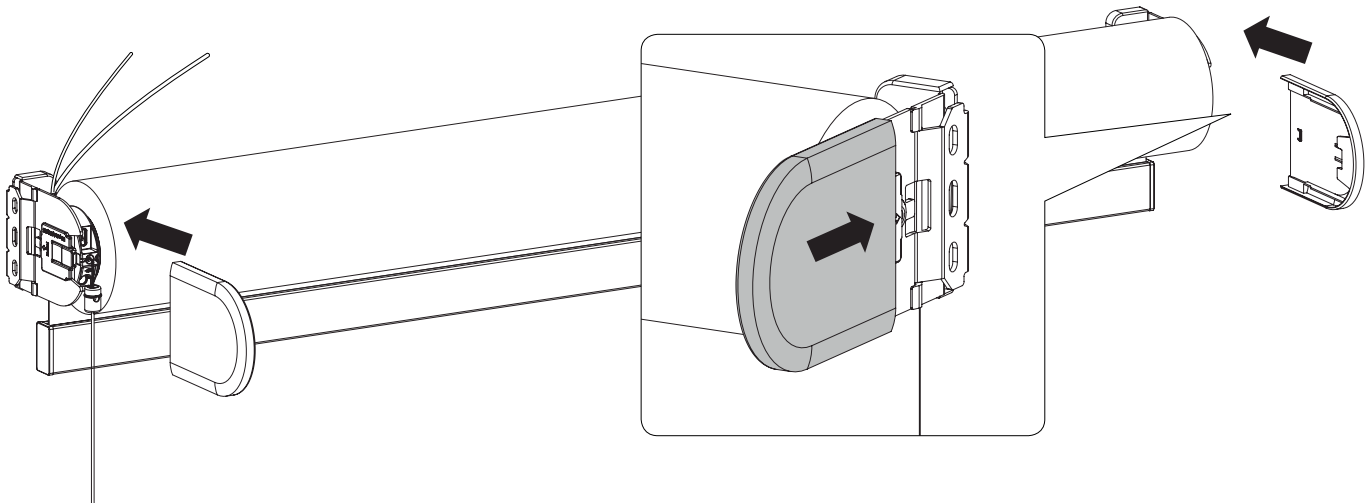
SMALL BRACKET COULISSE EVE MOTION MOTORIZATION

6. Remove Paper

- Remove the Protective Paper from the Roller Shade.

7. Small Bracket Covers

- Slide Small Bracket Covers into place.



8. Operate the Roller Shade

- The upper and lower limits of your shade have been programmed at the factory. To adjust the upper and lower limits for operation of your Tassel, Remote or phone App, click or scan the QR code.



NEED HELP?



**Click, or scan the QR code
to become a Dealer.**

