



Installation Manual

Roller Shades

SKYLINE 3" FASCIA CHAIN LOOP

Inside Mount • Outside Mount

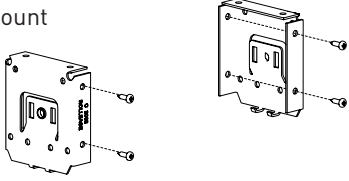


Click, or scan with
your phone for
video instructions.

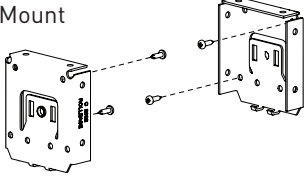
INSTALLATION

3" FASCIA - SKYLINE

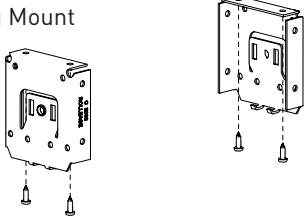
Wall Mount



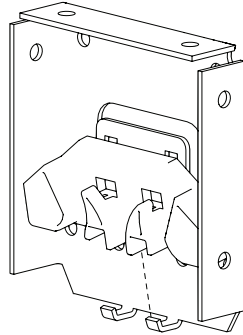
Inside Mount



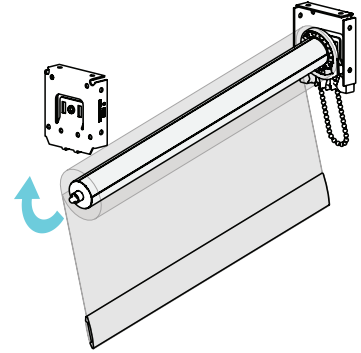
Ceiling Mount



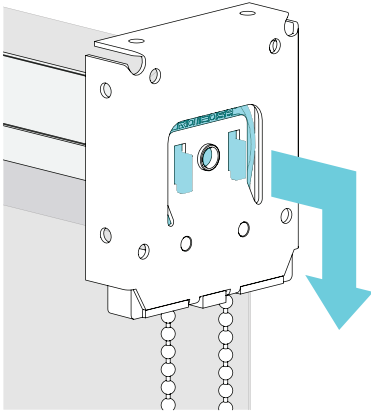
Attach Chain Diverter



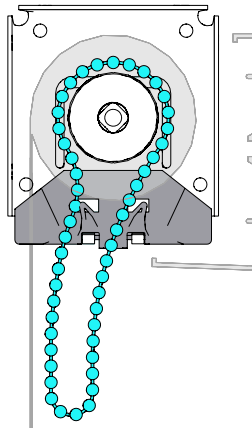
Align Clutch end first, swing assembly to bracket



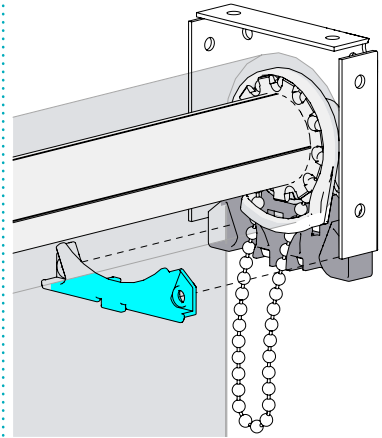
Ensure Clutch Hooks engage Bracket



Align the chain in the diverter (SAME POSITION FOR ALL CLUTCHES)



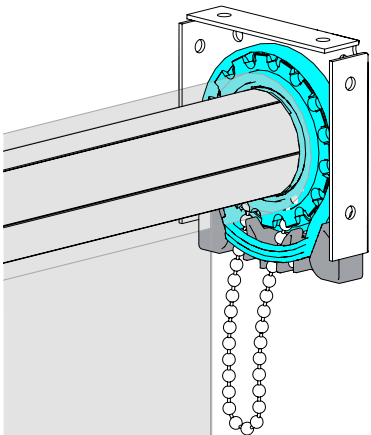
SL10 & SL15:
Attach Chain Diverter Cover



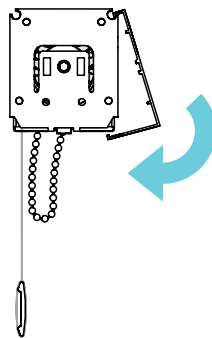
This allows room for fascia attachment

If needed, secure the cover with screws

SL20 & G200
(No Cover)



Attach Fascia Cover. Swing from top



Attach Bracket Covers

