



---

# Installation Manual

Roller Shades

## MEDIUM BRACKET DUAL TASSEL LIFT

Inside Mount • Jamb Mount • Outside Mount

---



Click, or scan with  
your phone for  
video instructions.



Click, or scan with your phone for video instructions.

## Installation Manual – Roller Shades

# MEDIUM BRACKET DUAL TASSEL LIFT

Read the instructions carefully before assembling and using the product.  
Assembling process can be completed by non-professionals. For indoor use only.

### ⚠️ WARNING



Window blind cord can STRANGLE your child.

To prevent strangulation, purchase cordless products or products with inaccessible cords.

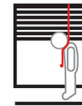
### ⚠️ ADVERTENCIA



La cuerda de la persiana puede ESTRANGULAR a su niño.

Para evitar el estrangulamiento, compre alternativas cuerda o productos con cuerdas inaccesibles.

### ⚠️ MISE EN GARDE



Votre enfant peut S'ÉTRANGLER avec un cordon de store.

Pour éviter la strangulation, achetez un produit sans cordon ou dont le cordon n'est pas accessible.

## DO NOT OPEN WITH SHARP OBJECT – Remove Outer Wrap with Care

## WHAT YOU NEED

We recommend wearing Safety Glasses when installing your Roller Shades.



- Drill
- Drill Bits
- Screwdriver
- Measuring Tape
- Pencil
- Level
- Safety Glasses

### NEED HELP?

Contact Customer Service • phone: 1-914-665-4545 • email: [cs@windowmodes.com](mailto:cs@windowmodes.com)



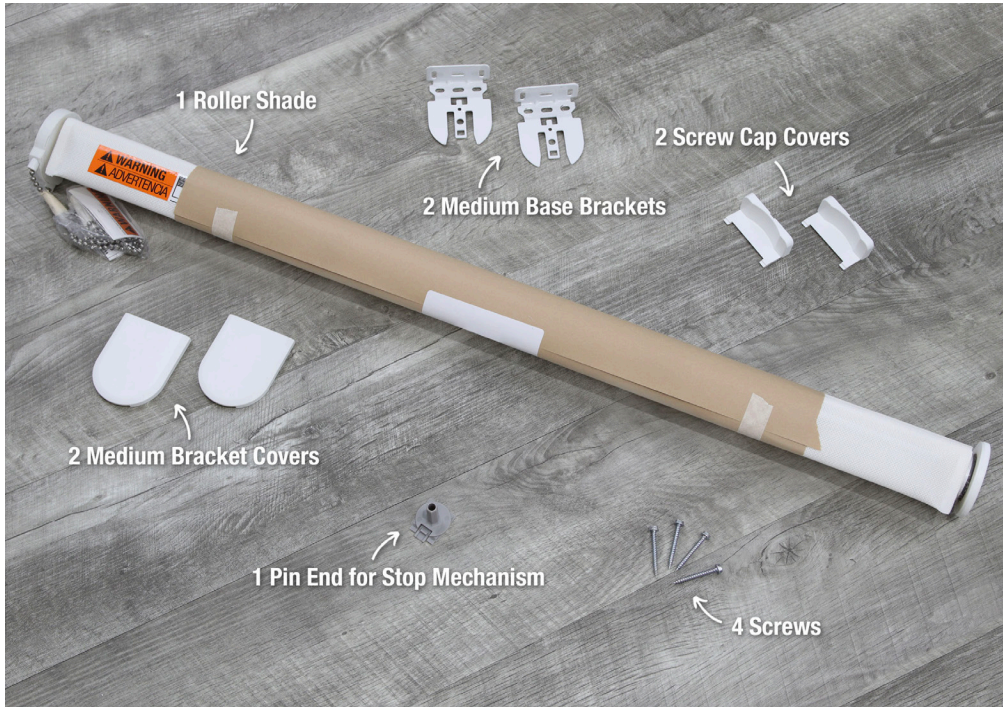
Click, or scan with your phone for video instructions.

# Installation Manual – Roller Shades

## MEDIUM BRACKET DUAL TASSEL LIFT

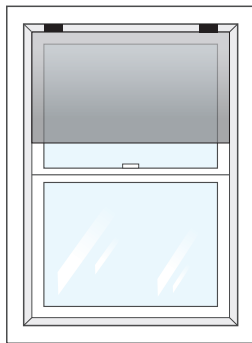
### WHAT'S IN THE BOX

Depending on what you ordered, the fabric and the color of the hardware may be different.



- 1 Roller Shade
- 2 Medium Base Brackets
- 2 Screw Cap Covers
- 2 Medium Bracket Covers
- 1 Pin End for Stop Mechanism
- 4 Screws

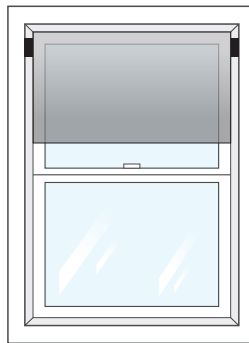
### Mounting Options



#### Inside Mount

With an inside mount the window treatment will be mounted and hung on the inside of the window frame.

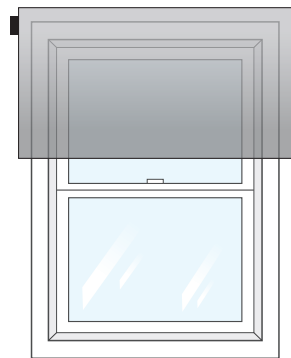
An inside mount has a minimum depth requirement.\*



#### Jamb Mount

With a jamb mount the window treatment will be mounted into the vertical sides and hung on the inside of the window frame.

A jamb mount has a minimum depth requirement.\*



#### Outside Mount

With an outside mount the window treatment will be mounted and hung on the outside of the window frame.

An outside mount does **not** have a minimum depth requirement.

#### NEED HELP?

Contact Customer Service • phone: 1-914-665-4545 • email: [cs@windowmodes.com](mailto:cs@windowmodes.com)



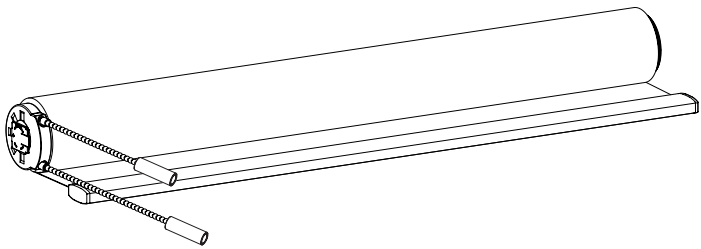
Click, or scan with your phone for video instructions.

## Installation Manual – Roller Shades

# MEDIUM BRACKET DUAL TASSEL LIFT

We recommend reading through the instructions before installing your Roller Shades.

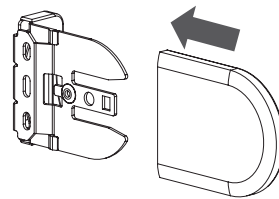
## INSTALLING YOUR ROLLER SHADE



- Check your window before you install your Roller Shade. Brackets must be in line and level. The roller must be level to prevent fabric skewing.
- We recommend wearing Safety Glasses when installing your Roller Shade.
- We recommend wearing Work Gloves to keep your Roller Shade clean while installing it.

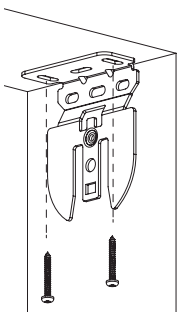
### 1. Assemble Brackets

- Attach Bracket Covers to Base Brackets by sliding them together.



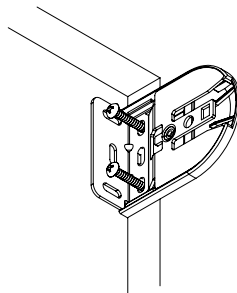
### 2. Mounting Your Brackets

- Place the assembled bracket against the window casing.
- Add Pencil Marks Where the two Screws Will Go.
- Pre-Drill the Two Holes.
- Install the Medium Base Bracket with the Bracket Cover attached.
- Remove the Bracket Cover.
- Repeat on the Other Side.
- Make Sure Your Medium Brackets are Level and in Line.



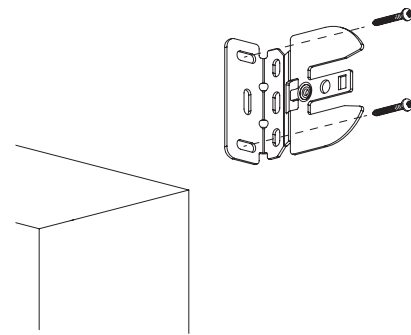
### Mounting Brackets for INSIDE MOUNT

- For an Inside Mount the Brackets will be mounted on the inside of the window frame.



### Mounting Brackets for JAMB MOUNT

- For a Jamb Mount the Brackets will be mounted into the vertical sides on the inside of the window frame.



### Mounting Brackets for OUTSIDE MOUNT

- For an Outside Mount the Brackets will be mounted on the outside of the window frame.

### NEED HELP?

Contact Customer Service • phone: 1-914-665-4545 • email: [cs@windowmodes.com](mailto:cs@windowmodes.com)



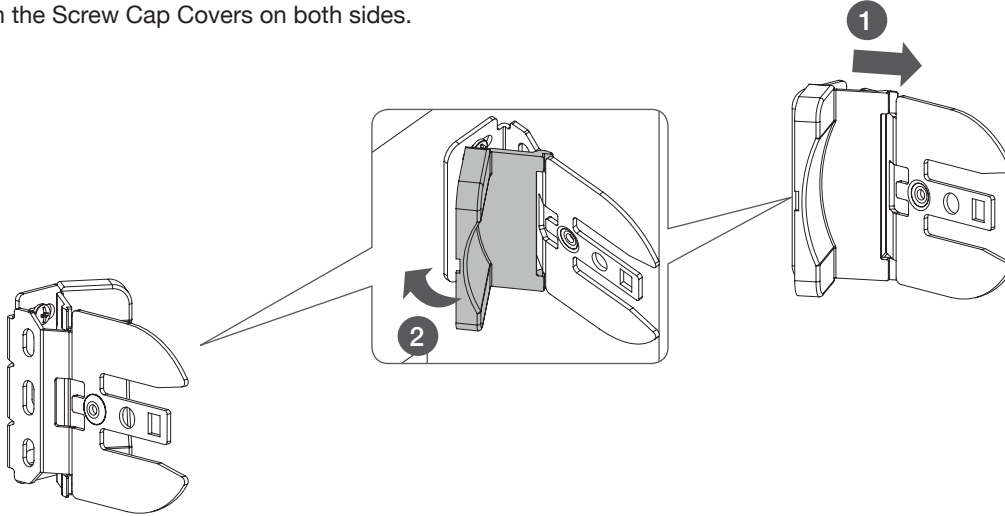
Click, or scan with your phone for video instructions.

## Installation Manual – Roller Shades

# MEDIUM BRACKET DUAL TASSEL LIFT

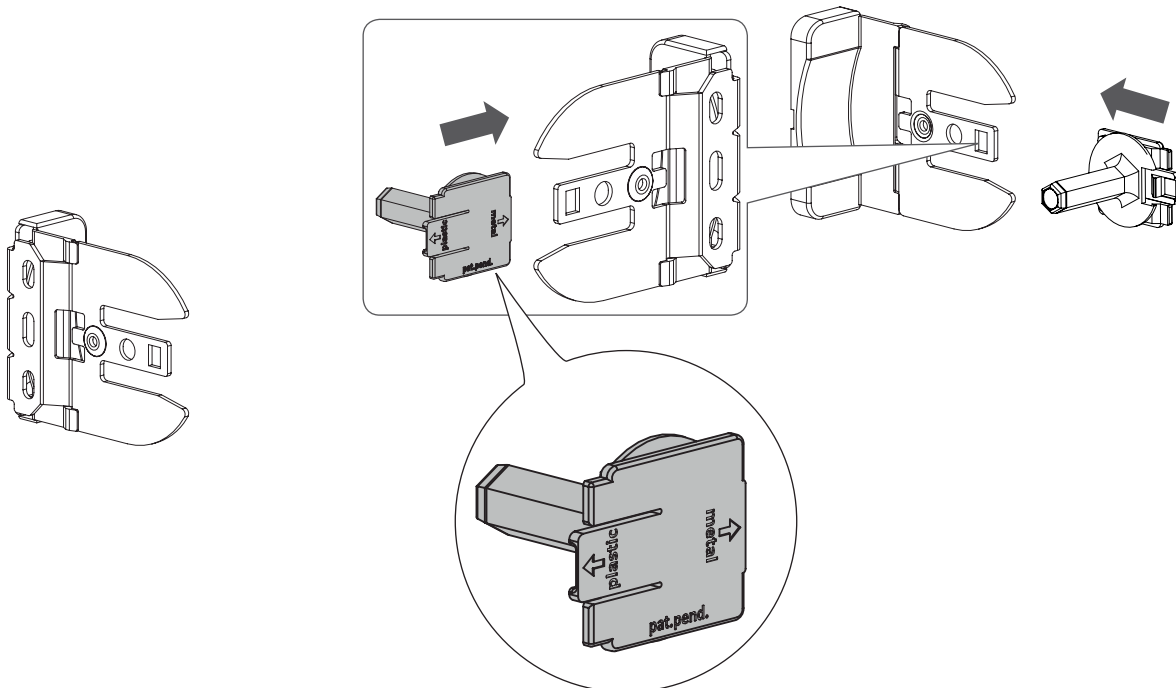
### 3. Screw Cap Covers

- Attach the Screw Cap Covers on both sides.



### 4. Pin End for Stop Mechanism

- The Pin End slides onto the bracket OPPOSITE of the red locking clip on the shade, i.e., Red Locking clip is on the left, the pin end installs on the right hand bracket.
- Make Sure That the “Metal” Arrow on the Back is Pointing Up.



### NEED HELP?

Contact Customer Service • phone: 1-914-665-4545 • email: [cs@windowmodes.com](mailto:cs@windowmodes.com)



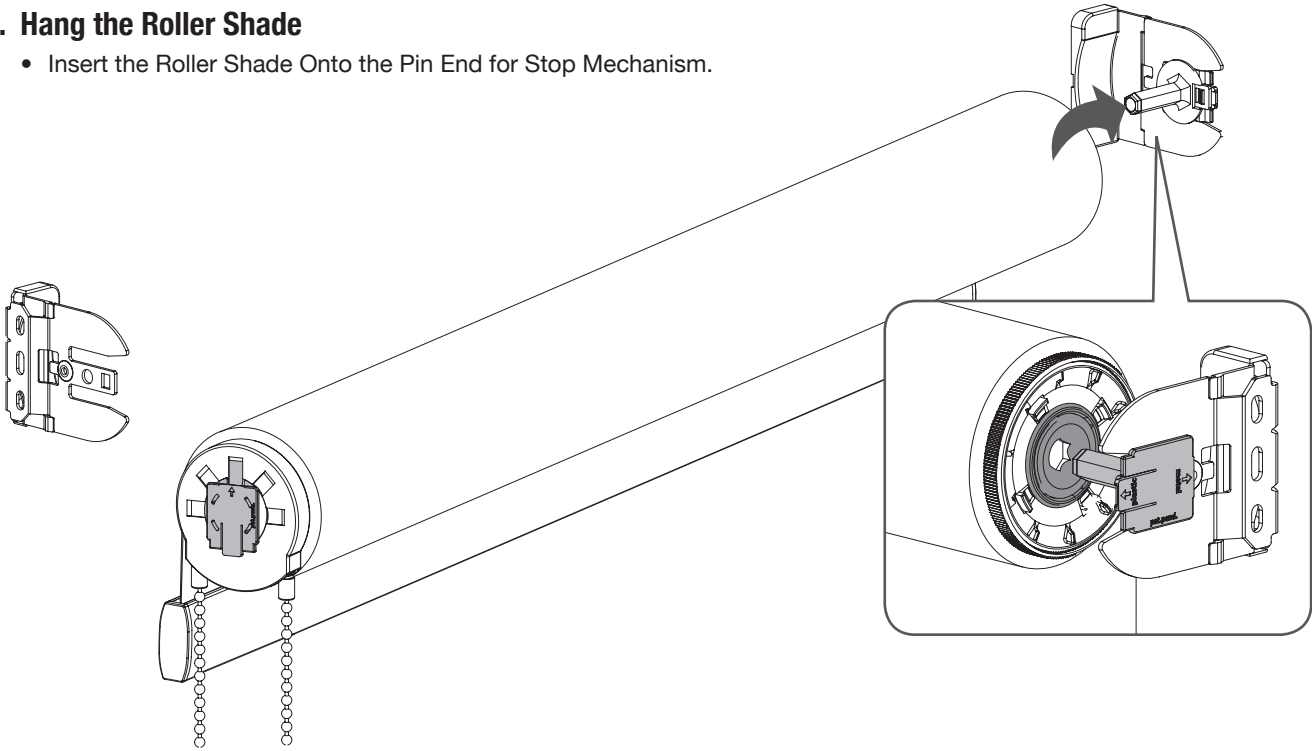
Click, or scan with your phone for video instructions.

## Installation Manual – Roller Shades

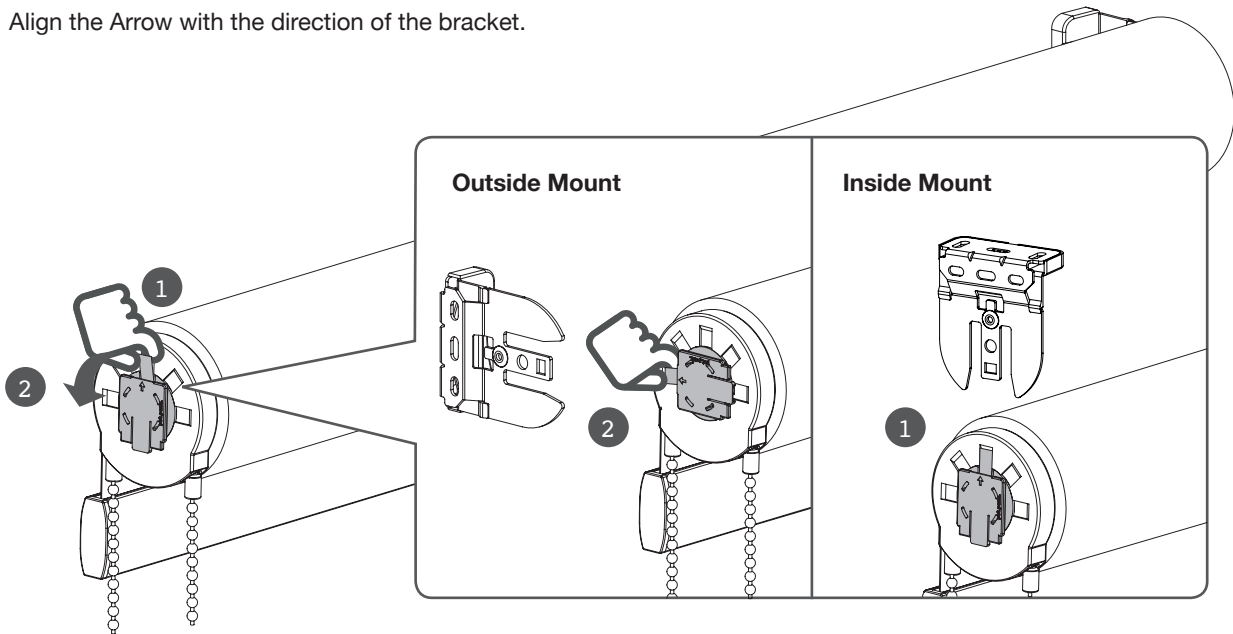
# MEDIUM BRACKET DUAL TASSEL LIFT

### 5. Hang the Roller Shade

- Insert the Roller Shade Onto the Pin End for Stop Mechanism.



- Align the Arrow with the direction of the bracket.



### NEED HELP?



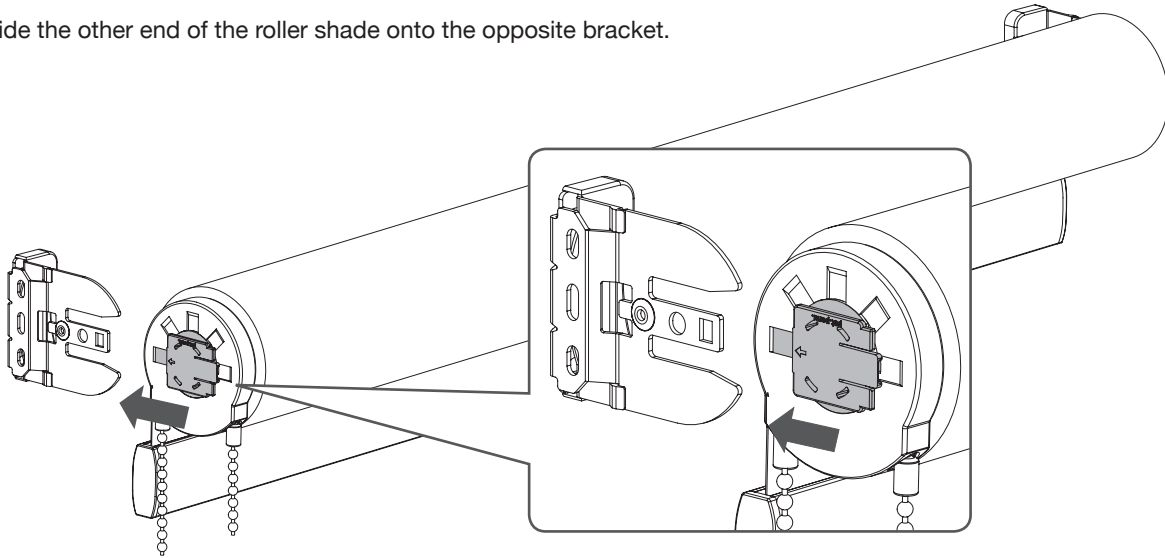


Click, or scan with your phone for video instructions.

## Installation Manual – Roller Shades

# MEDIUM BRACKET DUAL TASSEL LIFT

- Slide the other end of the roller shade onto the opposite bracket.

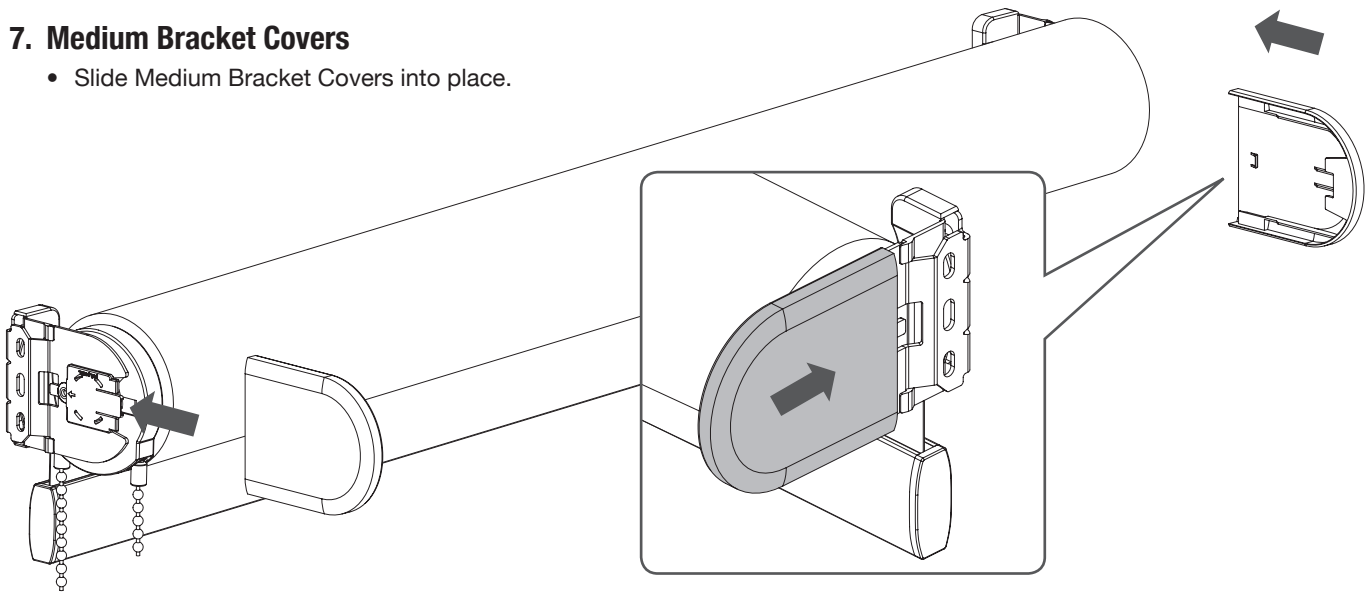


### 6. Remove Paper

- Remove the Protective Paper from the Roller Shade.

### 7. Medium Bracket Covers

- Slide Medium Bracket Covers into place.



### 8. Operate the Roller Shade

To lift and lower your shade use the 2 coordinating tassels. Back tassel should be used to lower your shade to its desired level, front Tassel to lift your shade to its desired level. We suggest using short even pulls when operating your shade for best results.

#### NEED HELP?

Contact Customer Service • phone: 1-914-665-4545 • email: [cs@windowmodes.com](mailto:cs@windowmodes.com)



---

**Click, or scan the QR code  
to become a Dealer.**

