



---

# Installation Manual

Roller Shades

## MEDIUM BRACKET CORDLESS

Inside Mount • Jamb Mount • Outside Mount

---



Click, or scan with  
your phone for  
video instructions.



Click, or scan with your phone for video instructions.

## Installation Manual – Roller Shades

# MEDIUM BRACKET CORDLESS

Read the instructions carefully before assembling and using the product.  
Assembling process can be completed by non-professionals. For indoor use only.

## DO NOT OPEN WITH SHARP OBJECT – Remove Outer Wrap with Care

### WHAT YOU NEED

We recommend wearing Safety Glasses when installing your Roller Shades.



- Drill
- Drill Bits
- Screwdriver
- Measuring Tape
- Pencil
- Level
- Safety Glasses

### NEED HELP?

Contact Customer Service • phone: 1-914-665-4545 • email: [cs@windowmodes.com](mailto:cs@windowmodes.com)



Click, or scan with your phone for video instructions.

# Installation Manual – Roller Shades

## MEDIUM BRACKET CORDLESS

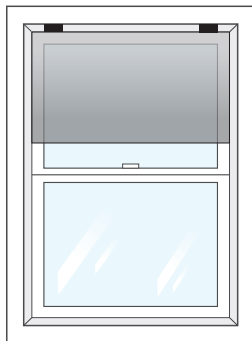
### WHAT'S IN THE BOX

Depending on what you ordered, the fabric and the color of the hardware may be different.



- 1 Roller Shade
- 2 Medium Base Brackets
- 2 Screw Cap Covers
- 2 Medium Bracket Covers
- 1 Pin End for Stop Mechanism
- 4 Screws

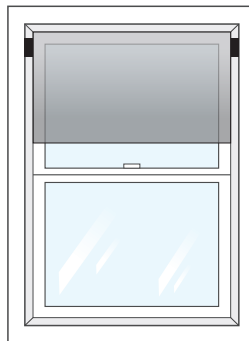
### Mounting Options



#### Inside Mount

With an inside mount the window treatment will be mounted and hung on the inside of the window frame.

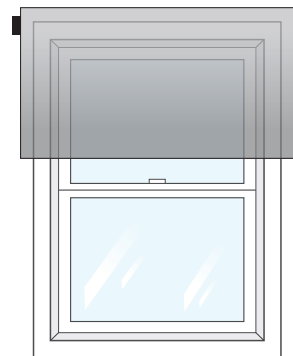
An inside mount has a minimum depth requirement.\*



#### Jamb Mount

With a jamb mount the window treatment will be mounted into the vertical sides and hung on the inside of the window frame.

A jamb mount has a minimum depth requirement.\*



#### Outside Mount

With an outside mount the window treatment will be mounted and hung on the outside of the window frame.

An outside mount does **not** have a minimum depth requirement.

#### NEED HELP?

Contact Customer Service • phone: 1-914-665-4545 • email: [cs@windowmodes.com](mailto:cs@windowmodes.com)



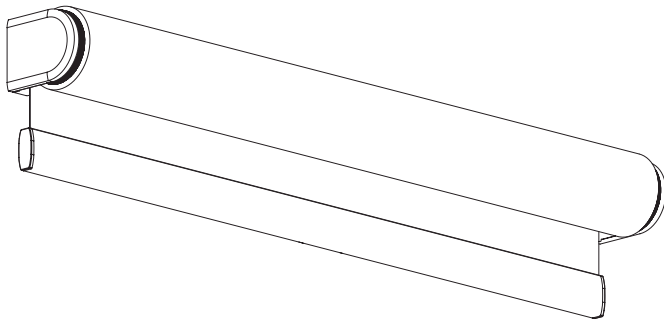
Click, or scan with your phone for video instructions.

# Installation Manual – Roller Shades

## MEDIUM BRACKET CORDLESS

We recommend reading through the instructions before installing your Roller Shades.

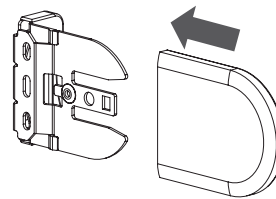
### INSTALLING YOUR ROLLER SHADE



- Check your window before you install your Roller Shade. Brackets must be in line and level. The roller must be level to prevent fabric skewing.
- We recommend wearing Safety Glasses when installing your Roller Shade.
- We recommend wearing Work Gloves to keep your Roller Shade clean while installing it.

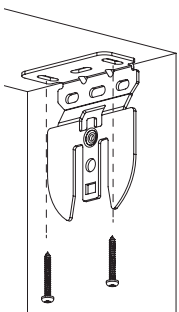
#### 1. Assemble Brackets

- Attach Bracket Covers to Base Brackets by sliding them together.



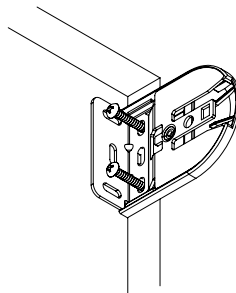
#### 2. Mounting Your Brackets

- Place the assembled bracket against the window casing.
- Add Pencil Marks Where the two Screws Will Go.
- Pre-Drill the Two Holes.
- Install the Medium Base Bracket with the Bracket Cover attached.
- Remove the Bracket Cover.
- Repeat on the Other Side.
- Make Sure Your Medium Brackets are Level and in Line.



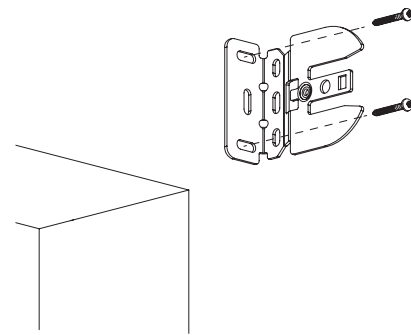
#### Mounting Brackets for INSIDE MOUNT

- For an Inside Mount the Brackets will be mounted on the inside of the window frame.



#### Mounting Brackets for JAMB MOUNT

- For a Jamb Mount the Brackets will be mounted into the vertical sides on the inside of the window frame.



#### Mounting Brackets for OUTSIDE MOUNT

- For an Outside Mount the Brackets will be mounted on the outside of the window frame.

#### NEED HELP?

Contact Customer Service • phone: 1-914-665-4545 • email: [cs@windowmodes.com](mailto:cs@windowmodes.com)



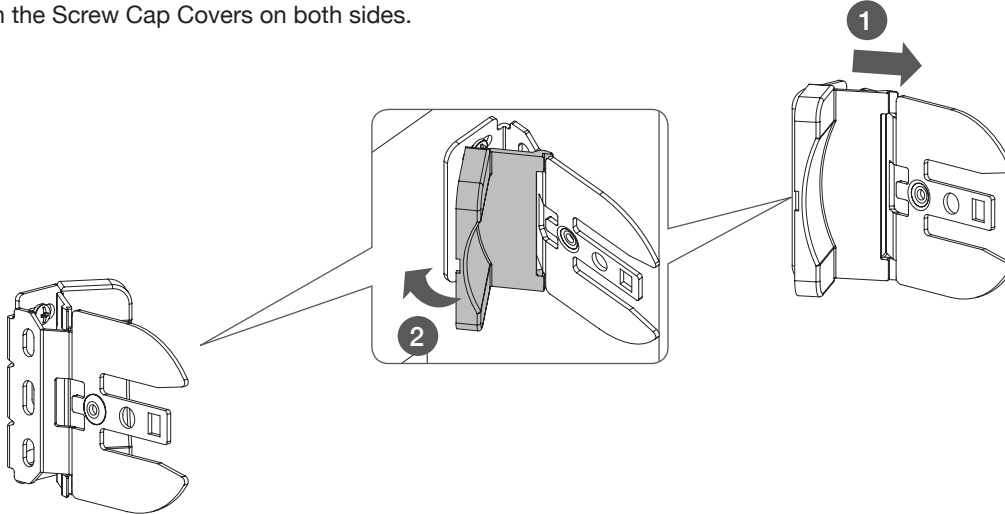
Click, or scan with your phone for video instructions.

# Installation Manual – Roller Shades

## MEDIUM BRACKET CORDLESS

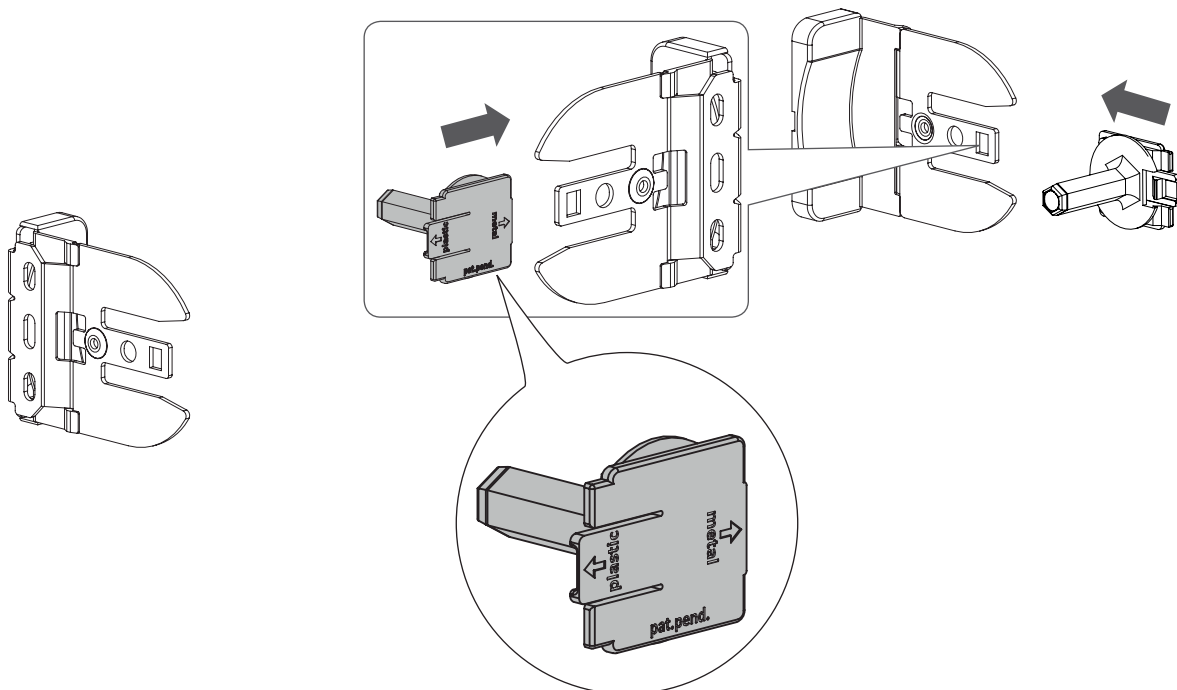
### 3. Screw Cap Covers

- Attach the Screw Cap Covers on both sides.



### 4. Pin End for Stop Mechanism

- The Pin End slides onto the bracket OPPOSITE of the red locking clip on the shade, i.e., Red Locking clip is on the left, the pin end installs on the right hand bracket.
- Make Sure That the “Metal” Arrow on the Back is Pointing Up.



### NEED HELP?



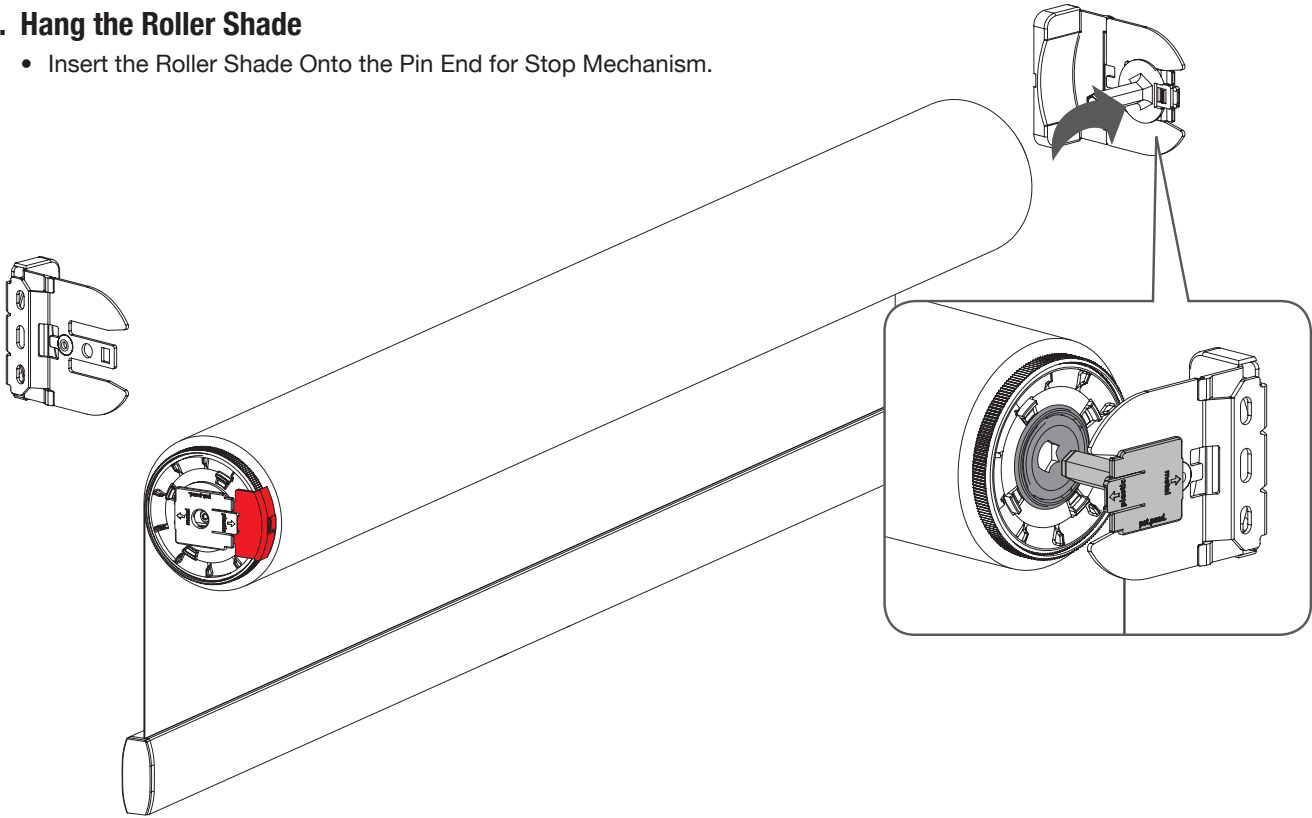
Click, or scan with your phone for video instructions.

## Installation Manual – Roller Shades

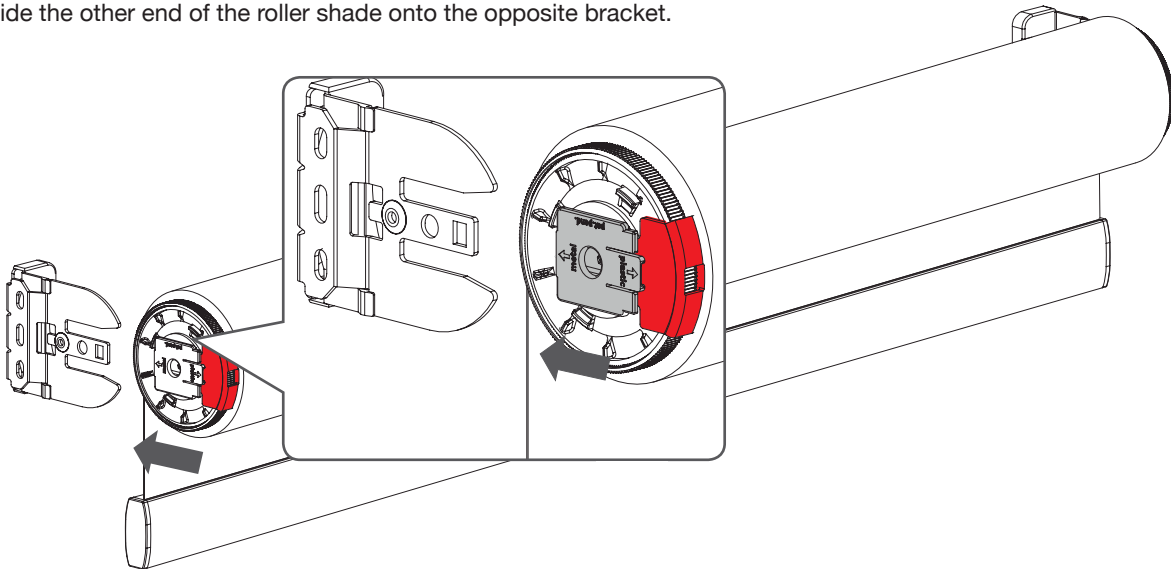
# MEDIUM BRACKET CORDLESS

### 5. Hang the Roller Shade

- Insert the Roller Shade Onto the Pin End for Stop Mechanism.



- Slide the other end of the roller shade onto the opposite bracket.



### NEED HELP?

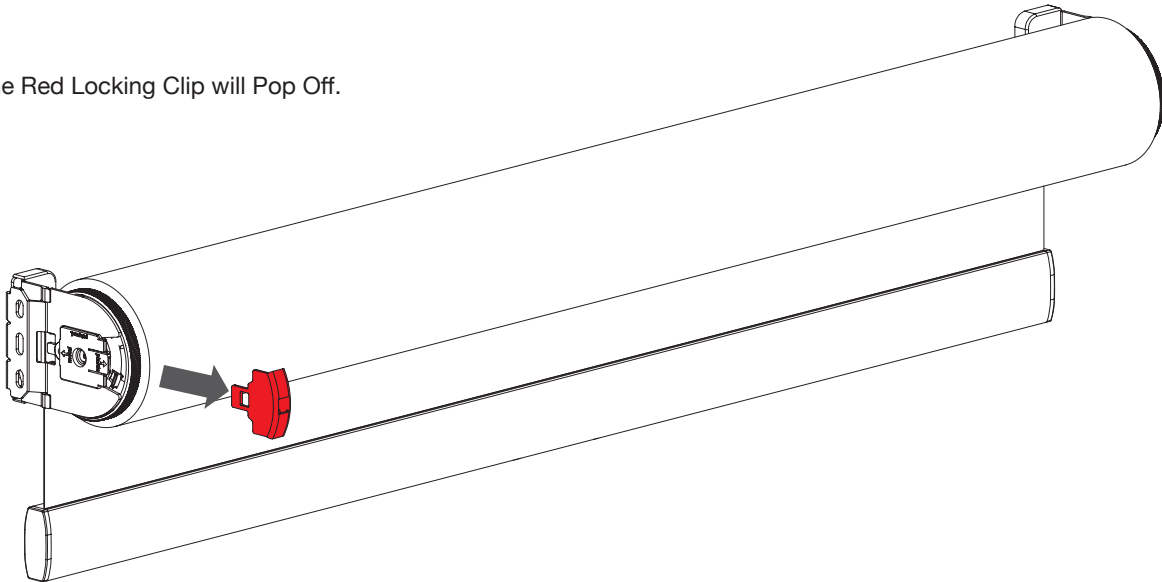


Click, or scan with your phone for video instructions.

## Installation Manual – Roller Shades

# MEDIUM BRACKET CORDLESS

- The Red Locking Clip will Pop Off.

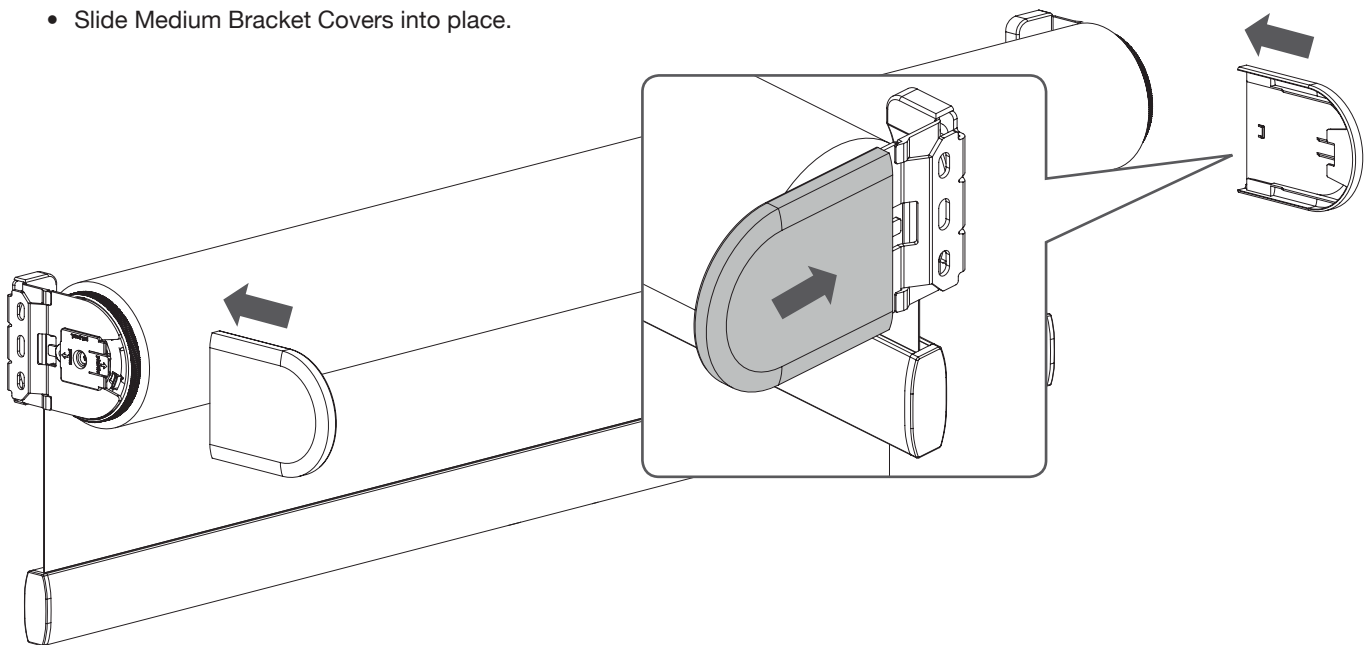


### 6. Remove Paper

- Remove the Protective Paper from the Roller Shade.

### 7. Medium Bracket Covers

- Slide Medium Bracket Covers into place.



### NEED HELP?



Click, or scan with your phone for video instructions.

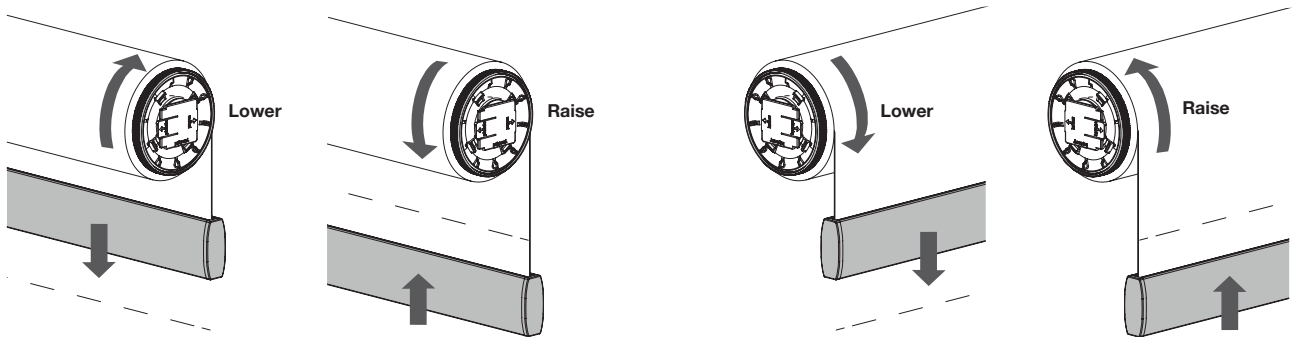
# Installation Manual – Roller Shades

## MEDIUM BRACKET CORDLESS

### 8. Adjust Top Position

The top stop and speed of your roller shade is set at the factory. Follow the below instructions only if changes are desired. To Adjust, make sure your shade is fully raised to it's upper limit.

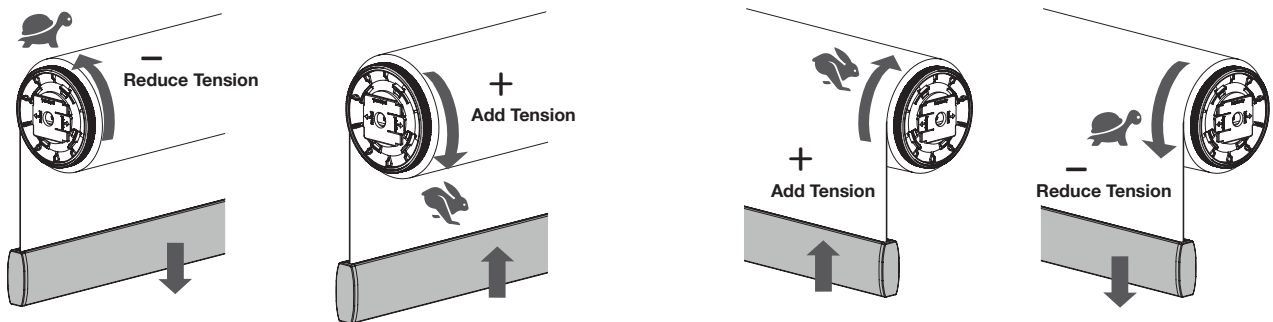
- For **Standard Roll Shades**, turning the **RIGHT** wheel away from you will lower the shade. Turning the wheel towards the room will raise the shade.
- For **Reverse Roll Shades**, turn the **LEFT** wheel towards the room to lower the shade. Turn the wheel away from the room to raise the shade.



**Warning:** Do NOT raise it where the bottom rail will hit the fabric roll. This could damage the fabric over time.

### 9. Adjust Tension

- For **Standard Roll Shades**, the **Left Wheel** will adjust the spring tension. This changes the roll-up speed.
- For **Reverse Roll Shades**, the **Right Wheel** will adjust the spring tension.



### 10. Operate the Roller Shade

To Lower, simply pull down on the Smooth Hem Bar. To Raise, tug gently to unlock the mechanism and guide it upwards. Operate from the center of the rail to prevent skewing.

#### NEED HELP?





---

**Click, or scan the QR code  
to become a Dealer.**

