



Installation Manual

Roller Shades

GLIDE CORDLESS WITH SQUARE CASSETTE

Inside Mount • Outside Mount



Click, or scan with
your phone for
video instructions.



Click, or scan with your phone for video instructions.

Installation Manual – Roller Shades

GLIDE CORDLESS WITH SQUARE CASSETTE

Read the instructions carefully before assembling and using the product.
Assembling process can be completed by non-professionals. For indoor use only.

DO NOT OPEN WITH SHARP OBJECT – Remove Outer Wrap with Care

WHAT YOU NEED

We recommend wearing Safety Glasses when installing your Roller Shades.



- Drill
- Drill Bits
- Screwdriver
- Measuring Tape
- Pencil
- Level
- Safety Glasses

NEED HELP?

Contact Customer Service • phone: 1-914-665-4545 • email: cs@windowmodes.com



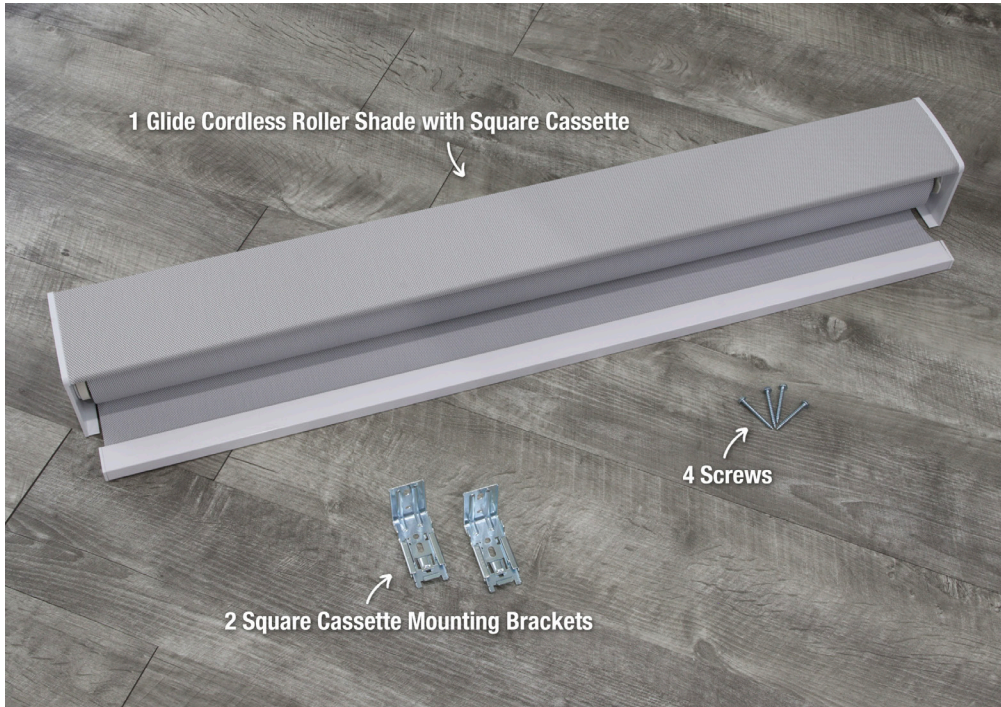
Click, or scan with your phone for video instructions.

Installation Manual – Roller Shades

GLIDE CORDLESS WITH SQUARE CASSETTE

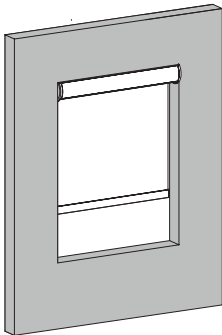
WHAT'S IN THE BOX

Depending on what you ordered, the fabric and the color of the hardware may be different.



- 1 Glide Cordless Roller Shade with Square Cassette
- 2 Square Cassette Mounting Brackets (A Larger Cassette will include additional Brackets)
- 4 Screws

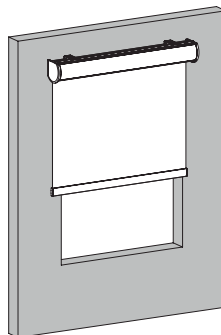
Mounting Options



Inside Mount

With an inside mount the window treatment will be mounted and hung on the inside of the window frame.

An inside mount has a minimum depth requirement.*



Outside Mount

With an outside mount the window treatment will be mounted and hung on the outside of the window frame.

An outside mount does **not** have a minimum depth requirement.

NEED HELP?

Contact Customer Service • phone: 1-914-665-4545 • email: cs@windowmodes.com



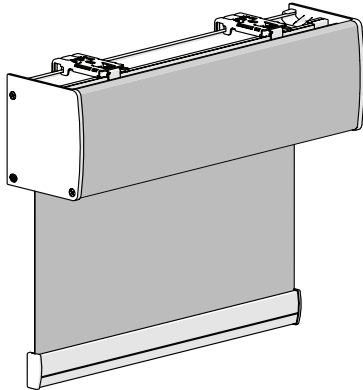
Click, or scan with your phone for video instructions.

Installation Manual – Roller Shades

GLIDE CORDLESS WITH SQUARE CASSETTE

We recommend reading through the instructions before installing your Roller Shades.

INSTALLING YOUR ROLLER SHADE



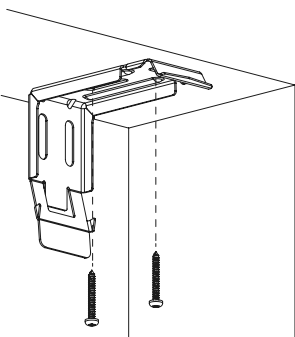
- Check your window before you install your Roller Shade. Brackets must be in line and level. The roller must be level to prevent fabric skewing.
- We recommend wearing Safety Glasses when installing your Roller Shade.
- We recommend wearing Work Gloves to keep your Roller Shade clean while installing it.

NOTE:

Roller shades should be installed level. An uneven roller shade will not roll up straight and could damage the fabric. Shims can be used.

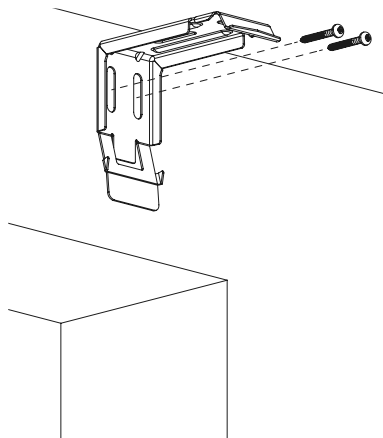
1. Mounting Your Brackets

- Measure about 2" in from the Side of Your Window Frame.
- Add Pencil Marks Where the two Screws Will Go.
- Pre-Drill the Two Holes.
- Install the Cassette Mounting Bracket with Screws.
- Repeat on the Other Side.
- Make Sure Your Cassette Mounting Brackets are Level and in Line.



Mounting Brackets for INSIDE MOUNT

- For an Inside Mount the Brackets will be mounted on the inside of the window frame.



Mounting Brackets for OUTSIDE MOUNT

- For an Outside Mount the Brackets will be mounted on the outside of the window frame.

NEED HELP?

Contact Customer Service • phone: 1-914-665-4545 • email: cs@windowmodes.com



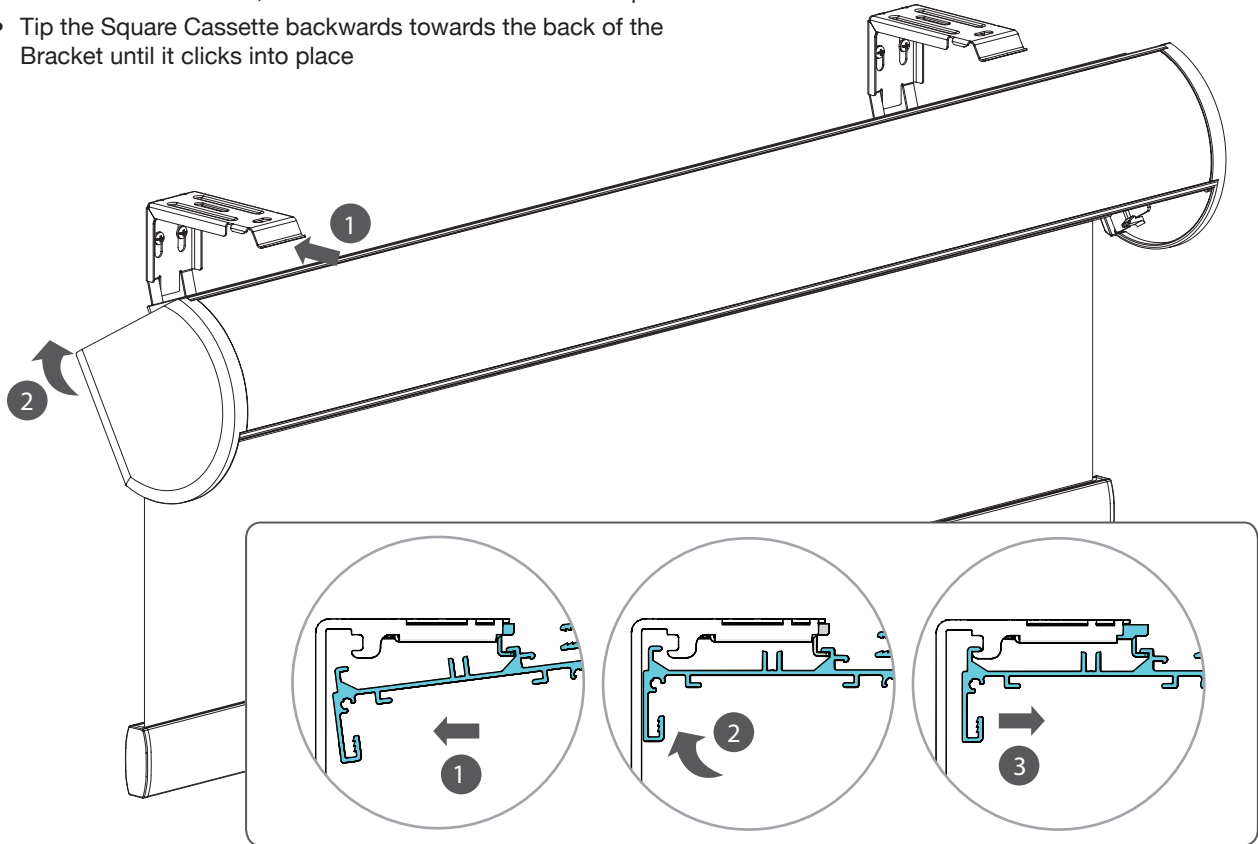
Click, or scan with your phone for video instructions.

Installation Manual – Roller Shades

GLIDE CORDLESS WITH SQUARE CASSETTE

2. Install the Cassette

- To Install the Cassette, hook the front of the Rail to the top of the Brackets.
- Tip the Square Cassette backwards towards the back of the Bracket until it clicks into place



3. Operate the Roller Shade

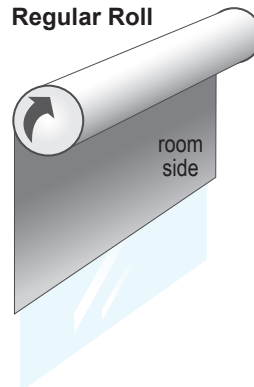
To Lower, simply pull down on the Smooth Hem Bar. To Raise, push Smooth Hem Bar upwards to desired location.

4. Tension Adjustment

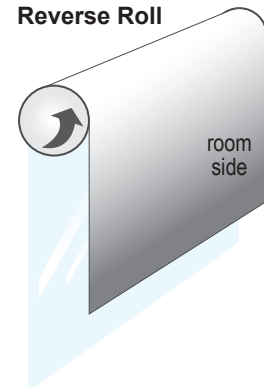
Regular Roll: Adjust by adding tension twisting the gear upward in the same direction as the roll (roll upward).

Reverse Roll: Adjust tension by twisting the gear in the same direction upward as the roll (roll upward).

Regular Roll



Reverse Roll



NEED HELP?

Contact Customer Service • phone: 1-914-665-4545 • email: cs@windowmodes.com