



# Installation Manual

Roller Shades

## GLIDE CORDLESS WITH EZ MOUNTING RAIL

Inside Mount • Outside Mount

---



Click, or scan with  
your phone for  
video instructions.



Click, or scan with your phone for video instructions.

## Installation Manual – Roller Shades

# GLIDE CORDLESS WITH EZ MOUNTING RAIL

Read the instructions carefully before assembling and using the product.  
Assembling process can be completed by non-professionals. For indoor use only.

## DO NOT OPEN WITH SHARP OBJECT – Remove Outer Wrap with Care

### WHAT YOU NEED

We recommend wearing Safety Glasses when installing your Roller Shades.



- Drill
- Drill Bits
- Screwdriver
- Measuring Tape
- Pencil
- Level
- Safety Glasses

### NEED HELP?

Contact Customer Service • phone: 1-914-665-4545 • email: [cs@windowmodes.com](mailto:cs@windowmodes.com)



Click, or scan with your phone for video instructions.

## Installation Manual – Roller Shades

# GLIDE CORDLESS WITH EZ MOUNTING RAIL

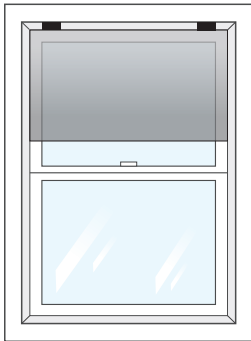
## WHAT'S IN THE BOX

Depending on what you ordered, the fabric and the color of the hardware may be different.



- 1 Glide Cordless Roller Shade with EZ Mounting Rail
- 2 Mounting Brackets
- 2 Screws

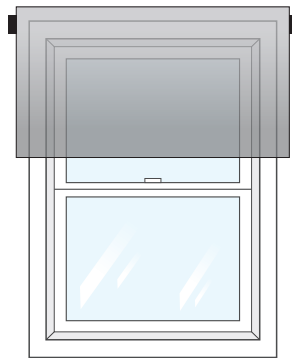
## Mounting Options



### Inside Mount

With an inside mount the window treatment will be mounted and hung on the inside of the window frame.

An inside mount has a minimum depth requirement.\*



### Outside Mount

With an outside mount the window treatment will be mounted and hung on the outside of the window frame.

An outside mount does **not** have a minimum depth requirement.

## NEED HELP?

Contact Customer Service • phone: 1-914-665-4545 • email: [cs@windowmodes.com](mailto:cs@windowmodes.com)



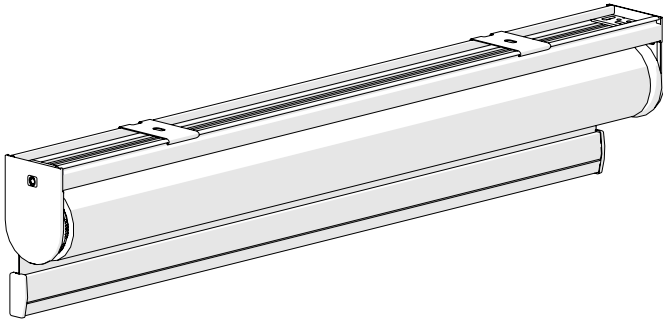
Click, or scan with your phone for video instructions.

## Installation Manual – Roller Shades

# GLIDE CORDLESS WITH EZ MOUNTING RAIL

We recommend reading through the instructions before installing your Roller Shades.

## INSTALLING YOUR ROLLER SHADE



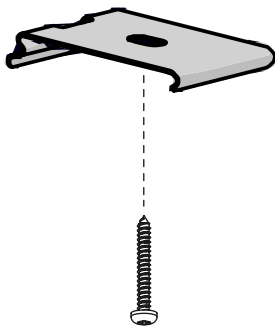
- Check your window before you install your Roller Shade. Brackets must be in line and level. The roller must be level to prevent fabric skewing.
- We recommend wearing Safety Glasses when installing your Roller Shade.
- We recommend wearing Work Gloves to keep your Roller Shade clean while installing it.

### NOTE:

Roller shades should be installed level. An uneven roller shade will not roll up straight and could damage the fabric. Shims can be used.

### 1. Mounting Your Brackets

- Measure about 2” in from each Side of Your Window Frame (2 Brackets).
- Add Pencil Marks Where the two Screws Will Go (2 Brackets).
- Pre-Drill the Two Holes.
- Install the Bracket with Screws.
- Repeat on the Other Side.
- Make Sure Your Brackets are Level and in Line.



### NEED HELP?

Contact Customer Service • phone: 1-914-665-4545 • email: [cs@windowmodes.com](mailto:cs@windowmodes.com)



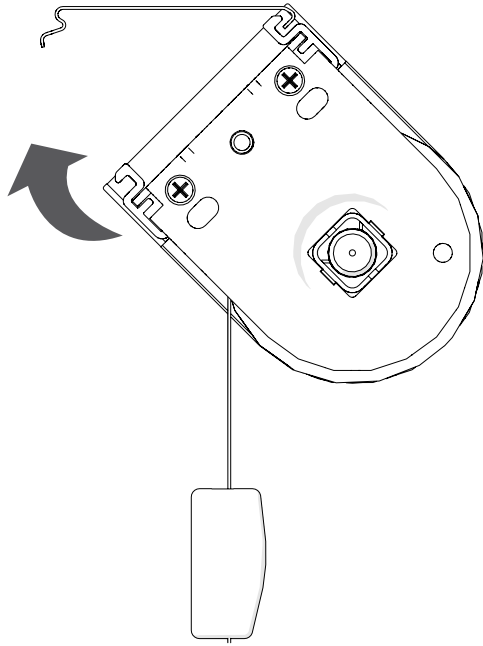
Click, or scan with your phone for video instructions.

## Installation Manual – Roller Shades

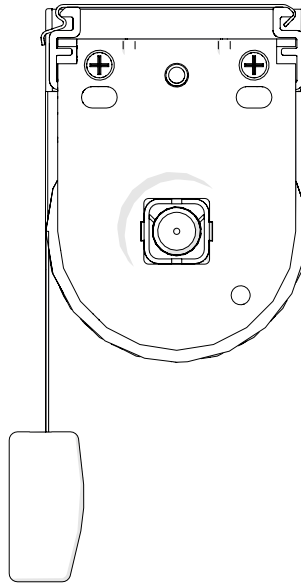
# GLIDE CORDLESS WITH EZ MOUNTING RAIL

### 2. Hang the Roller Shade with Rail

- To Install the Roller Shade, hook the front of the Rail to the top of the Brackets.



- Tip the EZ mounting rail backwards towards the back of the bracket until it clicks into place.



### 3. Remove Paper

- Remove the Protective Paper from the Roller Shade.

### 4. Operate the Roller Shade

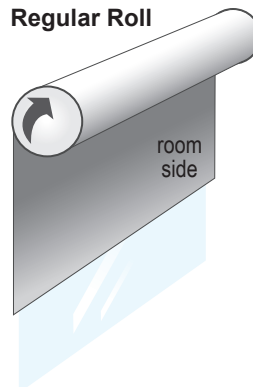
To Lower, simply pull down on the Smooth Hem Bar. To Raise, push Smooth Hem Bar upwards to desired location.

### 5. Tension Adjustment

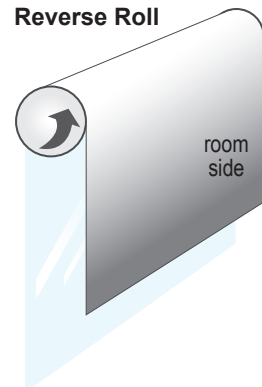
**Regular Roll:** Adjust by adding tension twisting the gear upward in the same direction as the roll (roll upward).

**Reverse Roll:** Adjust tension by twisting the gear in the same direction upward as the roll (roll upward).

Regular Roll



Reverse Roll



### NEED HELP?