



---

# Installation Manual

Roller Shades

# DESIGNER FASCIA COULISSE EVE MOTION MOTORIZATION

Inside Mount • Jamb Mount • Outside Mount

---



Click, or scan with  
your phone for  
video instructions.



Click, or scan with your phone for video instructions.

## Installation Manual – Roller Shades

# DESIGNER FASCIA COULISSE EVE MOTION MOTORIZATION

Read the instructions carefully before assembling and using the product.  
Assembling process can be completed by non-professionals. For indoor use only.

### ⚠️ WARNING



Window blind cord can STRANGLE your child.

To prevent strangulation, purchase cordless products or products with inaccessible cords.

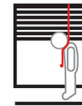
### ⚠️ ADVERTENCIA



La cuerda de la persiana puede ESTRANGULAR a su niño.

Para evitar el estrangulamiento, compre alternativas cuerda o productos con cuerdas inaccesibles.

### ⚠️ MISE EN GARDE



Votre enfant peut S'ÉTRANGLER avec un cordon de store.

Pour éviter la strangulation, achetez un produit sans cordon ou dont le cordon n'est pas accessible.

## HANDLE WITH CARE – Antenna Attached

## DO NOT OPEN WITH SHARP OBJECT – Remove Outer Wrap with Care

## WHAT YOU NEED

We recommend wearing Safety Glasses when installing your Roller Shades.



- Drill
- Drill Bits
- Screwdriver
- Measuring Tape
- Pencil
- Level
- Safety Glasses

### NEED HELP?

Contact Customer Service • phone: 1-914-665-4545 • email: [cs@windowmodes.com](mailto:cs@windowmodes.com)



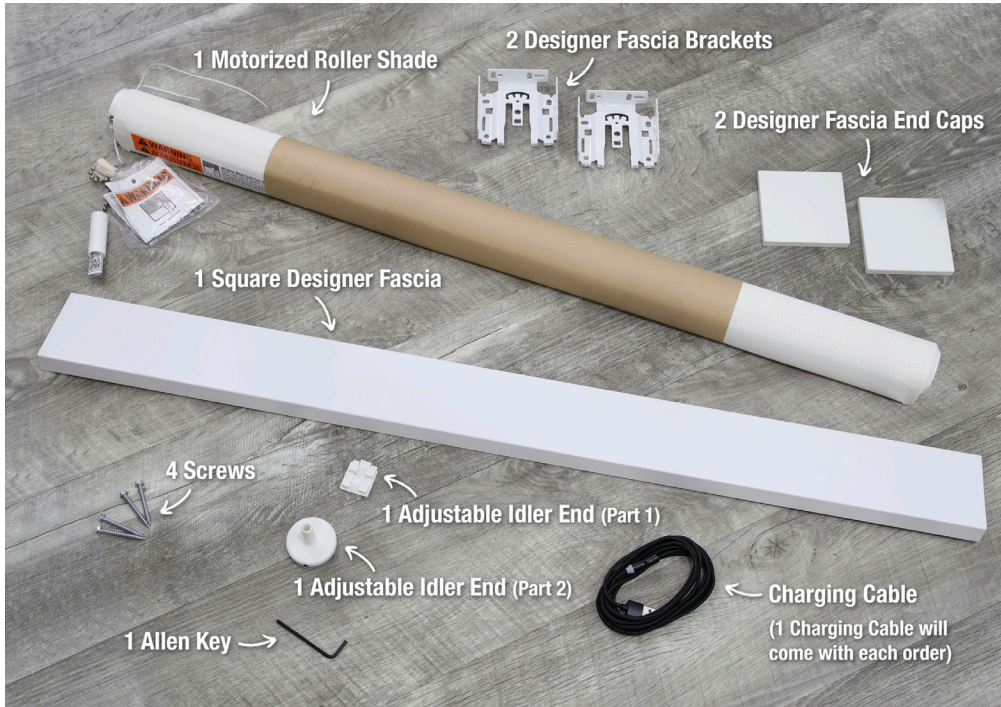
Click, or scan with your phone for video instructions.

## Installation Manual – Roller Shades

# DESIGNER FASCIA COULISSE EVE MOTION MOTORIZATION

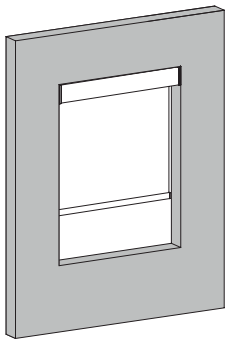
## WHAT'S IN THE BOX

Depending on what you ordered, the fabric and the color of the hardware may be different.



- 1 Motorized Roller Shade
- 2 Designer Fascia Brackets
- 2 Designer Fascia End Caps
- 1 Square Designer Fascia
- 1 Adjustable Idler End (Part 1)
- 1 Adjustable Idler End (Part 2)
- 1 Allen Key
- 4 Screws
- Charging Cable (1 Charging Cable will come with each order)

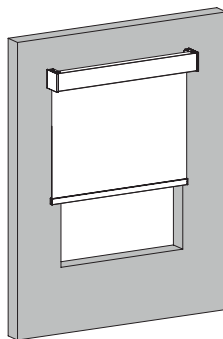
## Mounting Options



### Inside Mount

With an inside mount the window treatment will be mounted and hung on the inside of the window frame.

An inside mount has a minimum depth requirement.\*



### Outside Mount

With an outside mount the window treatment will be mounted and hung on the outside of the window frame.

An outside mount does **not** have a minimum depth requirement.

### Jamb Mount

With a jamb mount the window treatment will be mounted into the vertical sides and hung on the inside of the window frame.

A jamb mount has a minimum depth requirement.\*

## NEED HELP?

Contact Customer Service • phone: 1-914-665-4545 • email: [cs@windowmodes.com](mailto:cs@windowmodes.com)



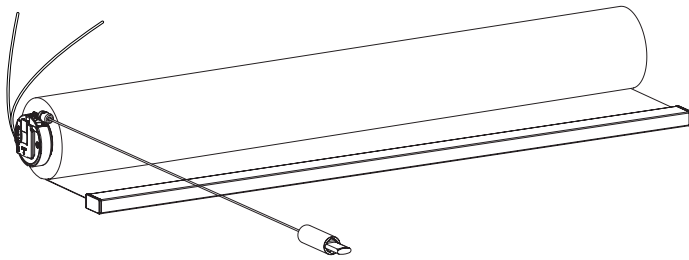
Click, or scan with your phone for video instructions.

## Installation Manual – Roller Shades

# DESIGNER FASCIA COULISSE EVE MOTION MOTORIZATION

We recommend reading through the instructions before installing your Roller Shades.

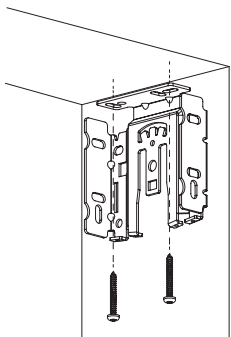
## INSTALLING YOUR ROLLER SHADE



- Check your window before you install your Roller Shade. Brackets must be in line and level. The roller must be level to prevent fabric skewing.
- We recommend wearing Safety Glasses when installing your Roller Shade.
- We recommend wearing Work Gloves to keep your Roller Shade clean while installing it.

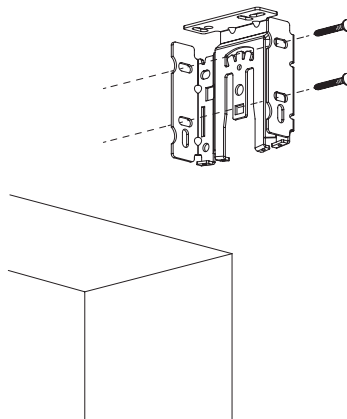
### 1. Mounting Your Brackets

- Place the Designer Fascia Bracket to Line up with Your Window Frame in the Front.
- Add Pencil Marks Where the two Screws Will Go.
- Pre-Drill the Two Holes.
- Install the Designer Fascia Bracket with Screws.
- Repeat on the Other Side.
- Make Sure Your Designer Fascia Brackets are Level and in Line.



#### Mounting Brackets for INSIDE MOUNT

- For an Inside Mount the Brackets will be mounted on the inside of the window frame.



#### Mounting Brackets for OUTSIDE MOUNT

- For an Outside Mount the Brackets will be mounted on the outside of the window frame.

#### Mounting Brackets for JAMB MOUNT

- For a Jamb Mount the Brackets will be mounted into the vertical sides on the inside of the window frame.

### NEED HELP?

Contact Customer Service • phone: 1-914-665-4545 • email: [cs@windowmodes.com](mailto:cs@windowmodes.com) 5.23



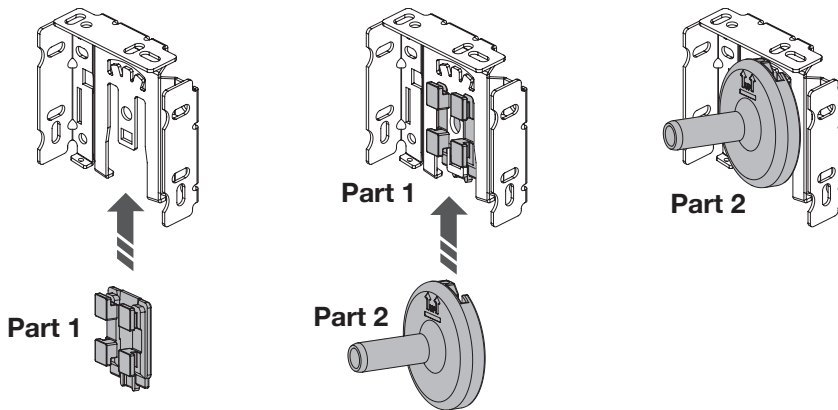
Click, or scan with  
your phone for  
video instructions.

## Installation Manual – Roller Shades

# DESIGNER FASCIA COULISSE EVE MOTION MOTORIZATION

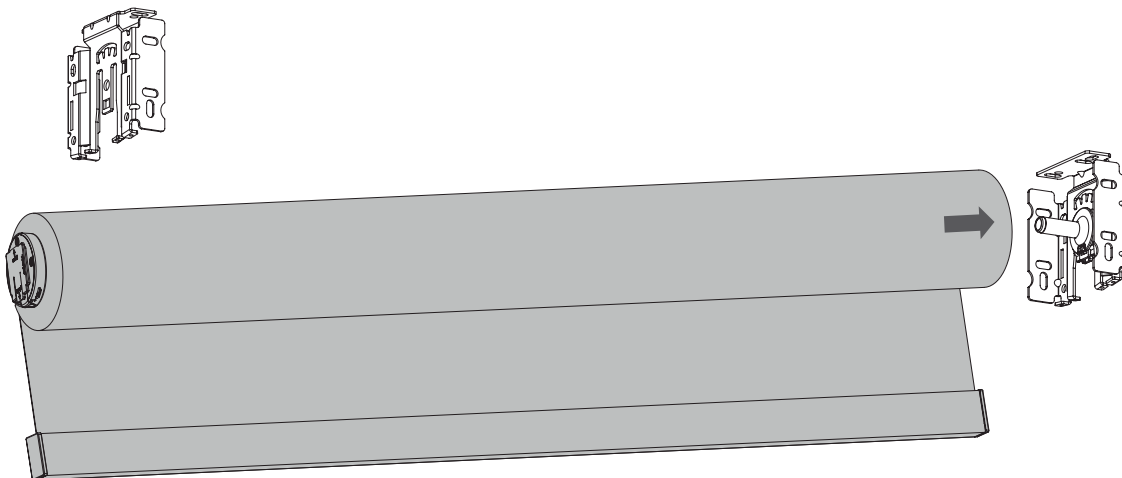
### 2. Adjustable Idler End Part 1 and Part 2

- Slide Part 1 of the Adjustable Idler End on the bracket that will be opposite of the bead chain mechanism.
- Make Sure That the “Metal” Arrow on the Back of Adjustable Idler End Part 1 is Pointing Up.
- Slide Part 2 of the Adjustable Idler End onto the same bracket.
- Make Sure the Arrows on the Front of the Idler End are Pointing Up.



### 3. Hang the Roller Shade

- Insert the Roller Shade Onto the Adjustable Idler End.



#### NEED HELP?

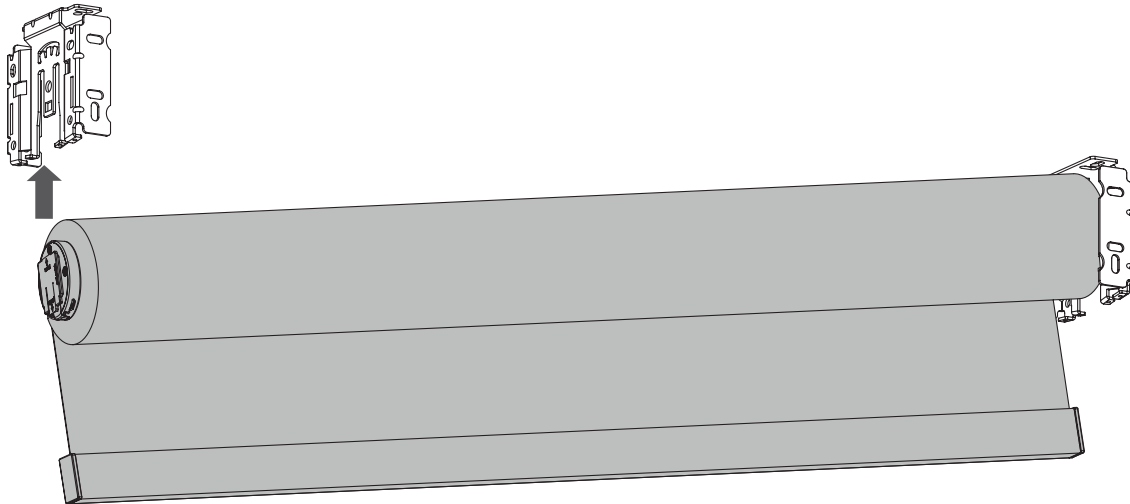


Click, or scan with your phone for video instructions.

## Installation Manual – Roller Shades

# DESIGNER FASCIA COULISSE EVE MOTION MOTORIZATION

- Slide the other end of the roller shade onto the opposite bracket.
- Make Sure the Roller Shade is Level.

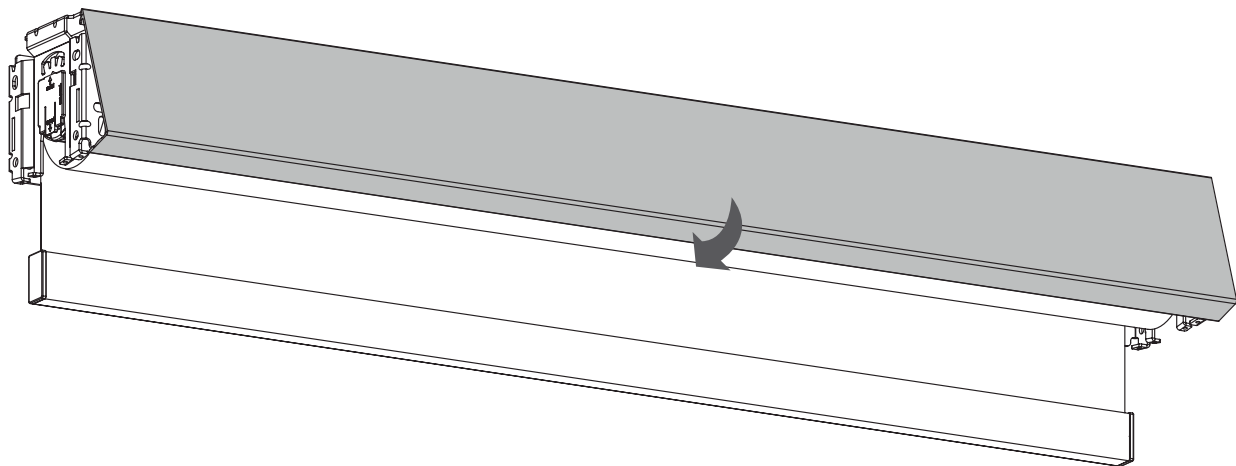


### 4. Remove Paper

- Remove the Protective Paper from the Roller Shade.

### 5. Attach Square Designer Fascia

- To Attach the Square Designer Fascia, Hook it on to the Top of the Brackets.
- Tilt Backwards and Click into Place.



### NEED HELP?



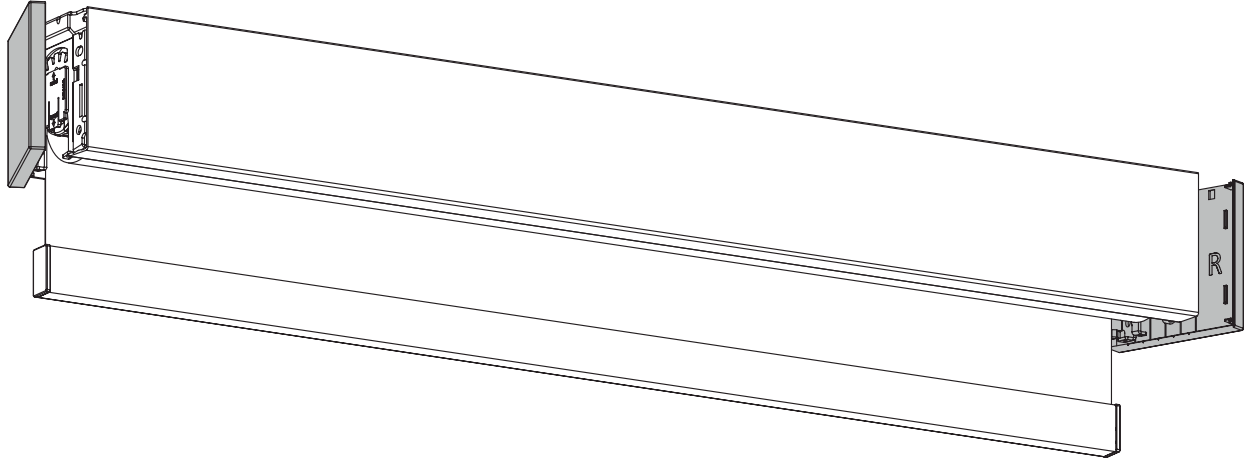
Click, or scan with your phone for video instructions.

## Installation Manual – Roller Shades

# DESIGNER FASCIA COULISSE EVE MOTION MOTORIZATION

### 6. Designer Fascia End Caps

- The End Caps can only be Installed when the Shade is Installed as an Outside Mount.



### 7. Operate the Roller Shade

- The upper and lower limits of your shade have been programmed at the factory. To adjust the upper and lower limits for operation of your Tassel, Remote or phone App, click or scan the QR code.



#### NEED HELP?



---

**Click, or scan the QR code  
to become a Dealer.**

