



---

# Installation Manual

Roller Shades

## DESIGNER FASCIA CORDLESS

Inside Mount • Jamb Mount • Outside Mount

---



Click, or scan with  
your phone for  
video instructions.



Click, or scan with your phone for video instructions.

## Installation Manual – Roller Shades

# DESIGNER FASCIA CORDLESS

Read the instructions carefully before assembling and using the product.  
Assembling process can be completed by non-professionals. For indoor use only.

## DO NOT OPEN WITH SHARP OBJECT – Remove Outer Wrap with Care

### WHAT YOU NEED

We recommend wearing Safety Glasses when installing your Roller Shades.



- Drill
- Drill Bits
- Screwdriver
- Measuring Tape
- Pencil
- Level
- Safety Glasses

### NEED HELP?

Contact Customer Service • phone: 1-914-665-4545 • email: [cs@windowmodes.com](mailto:cs@windowmodes.com)



Click, or scan with your phone for video instructions.

# Installation Manual – Roller Shades

## DESIGNER FASCIA CORDLESS

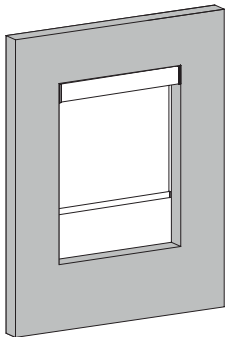
### WHAT'S IN THE BOX

Depending on what you ordered, the fabric and the color of the hardware may be different.



- 1 Roller Shade
- 2 Designer Fascia Brackets
- 2 Designer Fascia End Caps
- 1 Square Designer Fascia
- 1 Pin End for Stop Mechanism
- 4 Screws

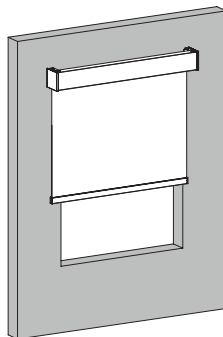
### Mounting Options



#### Inside Mount

With an inside mount the window treatment will be mounted and hung on the inside of the window frame.

An inside mount has a minimum depth requirement.\*



#### Outside Mount

With an outside mount the window treatment will be mounted and hung on the outside of the window frame.

An outside mount does **not** have a minimum depth requirement.

#### Jamb Mount

With a jamb mount the window treatment will be mounted into the vertical sides and hung on the inside of the window frame.

A jamb mount has a minimum depth requirement.\*

#### NEED HELP?



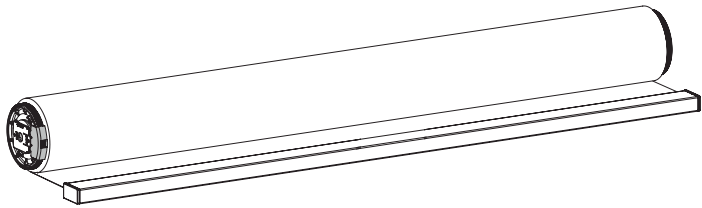
Click, or scan with your phone for video instructions.

# Installation Manual – Roller Shades

## DESIGNER FASCIA CORDLESS

We recommend reading through the instructions before installing your Roller Shades.

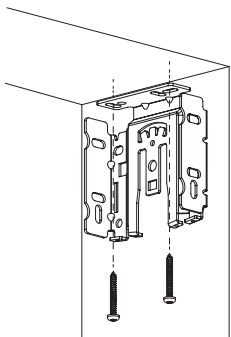
### INSTALLING YOUR ROLLER SHADE



- Check your window before you install your Roller Shade. Brackets must be in line and level. The roller must be level to prevent fabric skewing.
- We recommend wearing Safety Glasses when installing your Roller Shade.
- We recommend wearing Work Gloves to keep your Roller Shade clean while installing it.

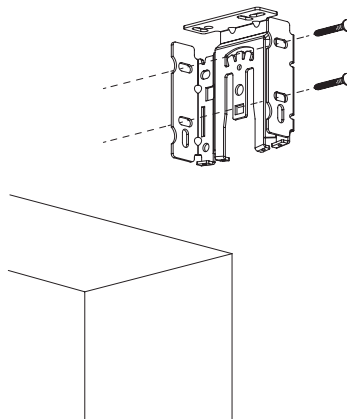
#### 1. Mounting Your Brackets

- Place the Designer Fascia Bracket to Line up with Your Window Frame in the Front.
- Add Pencil Marks Where the two Screws Will Go.
- Pre-Drill the Two Holes.
- Install the Designer Fascia Bracket with Screws.
- Repeat on the Other Side.
- Make Sure Your Designer Cassette Mounting Brackets are Level and in Line.



#### Mounting Brackets for INSIDE MOUNT

- For an Inside Mount the Brackets will be mounted on the inside of the window frame.



#### Mounting Brackets for OUTSIDE MOUNT

- For an Outside Mount the Brackets will be mounted on the outside of the window frame.

#### Mounting Brackets for JAMB MOUNT

- For a Jamb Mount the Brackets will be mounted into the vertical sides on the inside of the window frame.

#### NEED HELP?



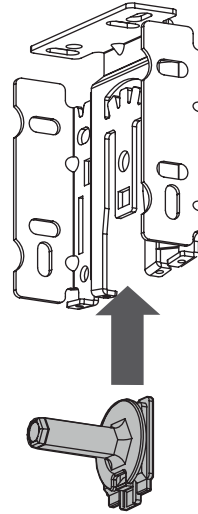
Click, or scan with your phone for video instructions.

## Installation Manual – Roller Shades

# DESIGNER FASCIA CORDLESS

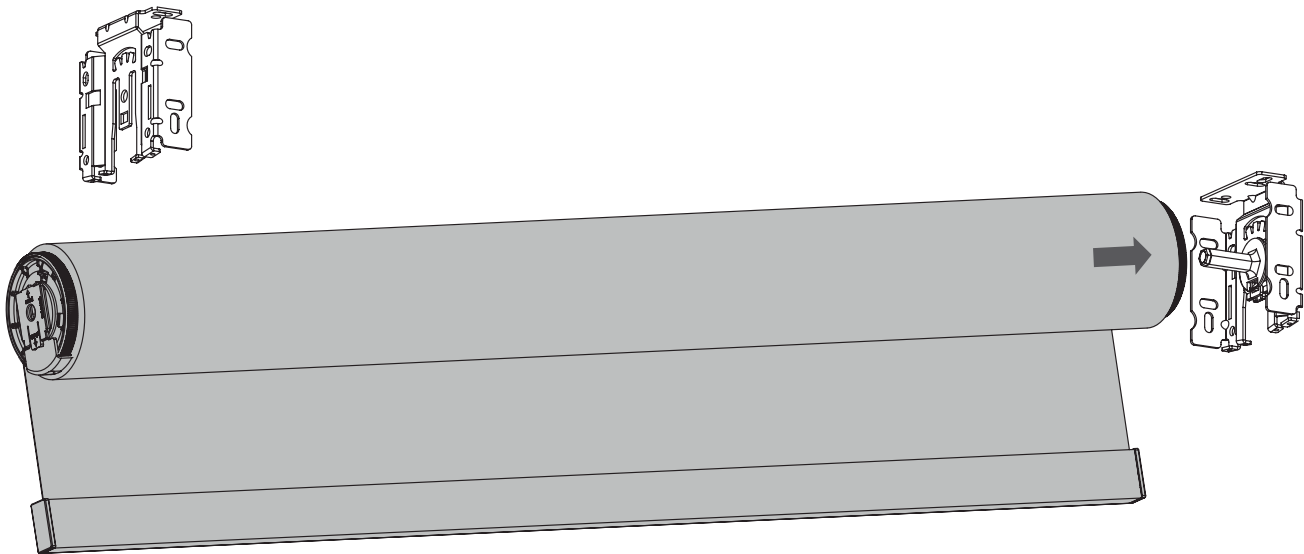
### 2. Pin End for Stop Mechanism

- The Pin End slides onto the bracket OPPOSITE of the red locking clip on the shade, i.e., Red Locking clip is on the left, the pin end installs on the right hand bracket.
- Make Sure That the “Metal” Arrow on the Back is Pointing Up.



### 3. Hang the Roller Shade

- Insert the Roller Shade Onto the Pin End for Stop Mechanism.



#### NEED HELP?

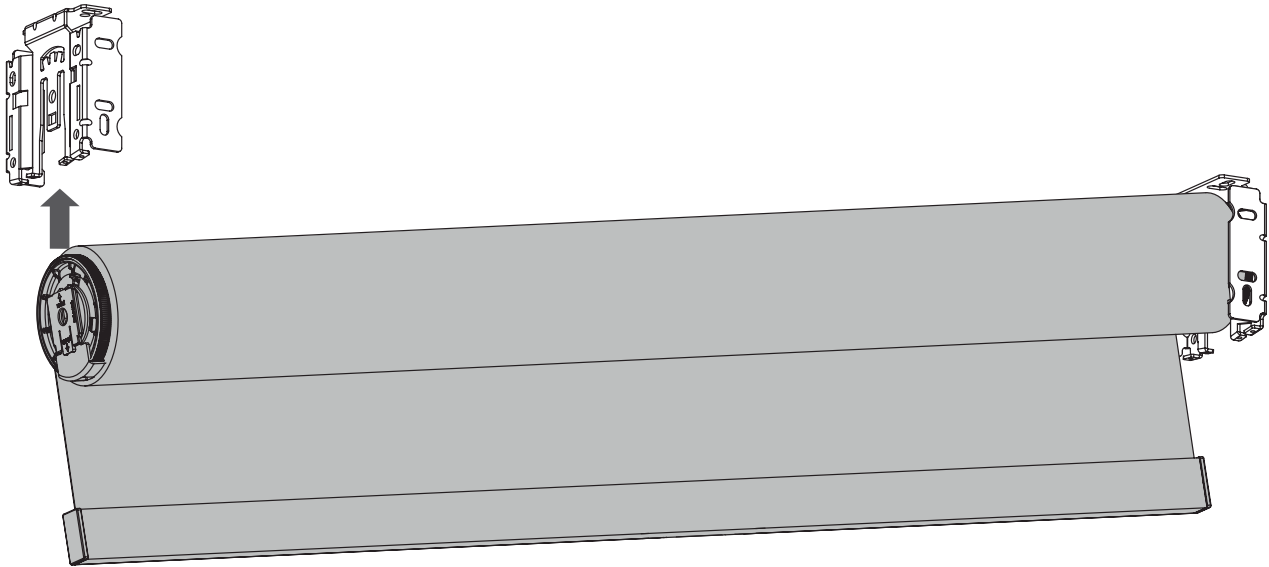


Click, or scan with your phone for video instructions.

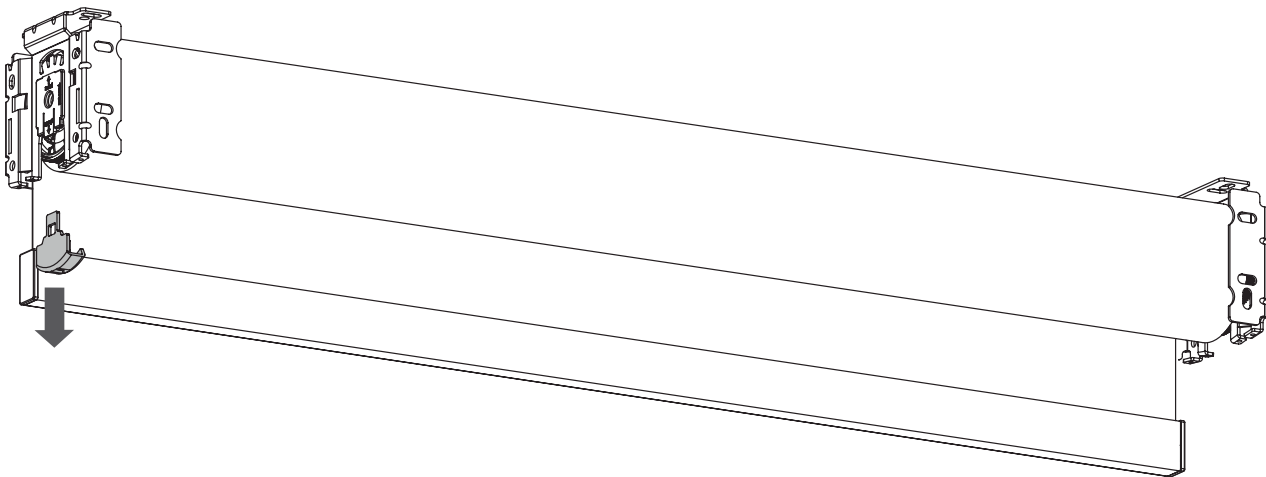
## Installation Manual – Roller Shades

# DESIGNER FASCIA CORDLESS

- Slide the other end of the roller shade onto the opposite bracket.



- The Red Locking Clip will Pop Off.



### 4. Remove Paper

- Remove the Protective Paper from the Roller Shade.

---

#### NEED HELP?



Click, or scan with your phone for video instructions.

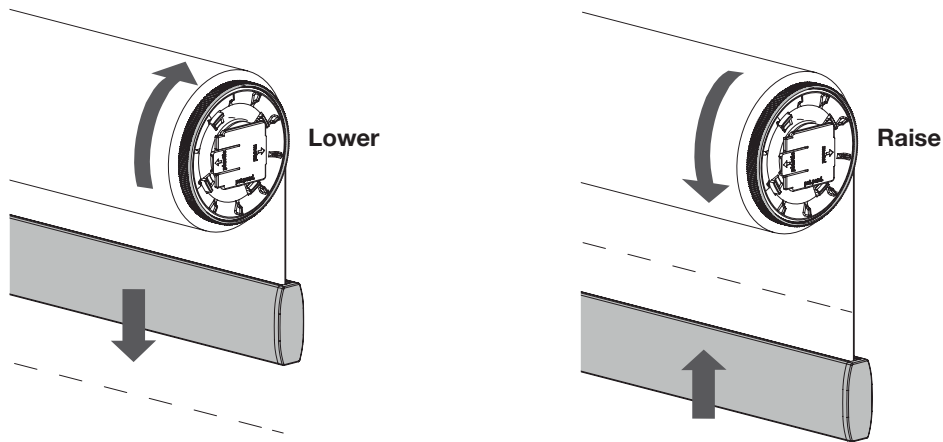
# Installation Manual – Roller Shades

## DESIGNER FASCIA CORDLESS

### 5. Adjust Top Position

The top stop and speed of your roller shade is set at the factory. Follow the below instructions only if changes are desired. To Adjust, make sure your shade is fully raised to its upper limit.

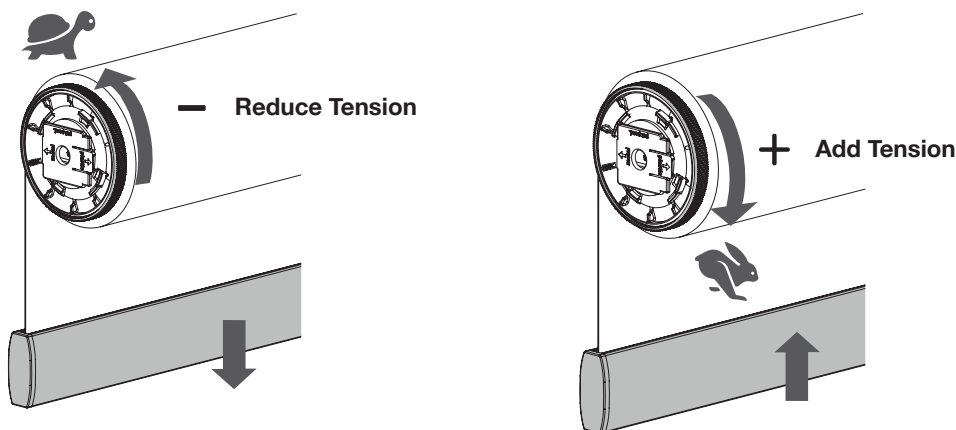
- Turn the RIGHT wheel away from you will lower the shade. Turning the wheel towards the room will raise the shade



**Warning:** Do NOT raise it where the bottom rail will hit the fabric roll. This could damage the fabric over time.

### 6. Adjust Tension

- The Left Wheel will adjust the spring tension. This changes the roll-up speed.



### NEED HELP?



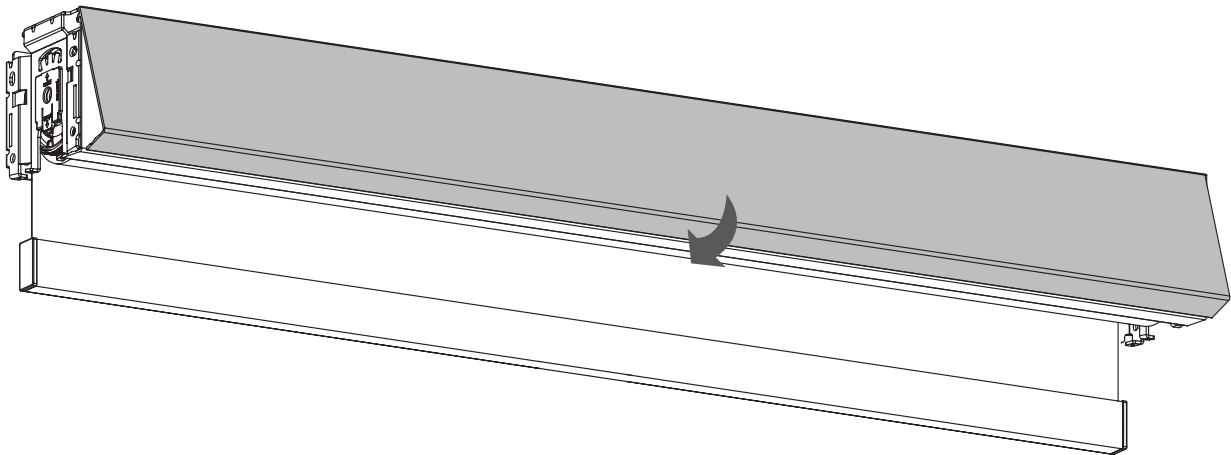
Click, or scan with  
your phone for  
video instructions.

## Installation Manual – Roller Shades

# DESIGNER FASCIA CORDLESS

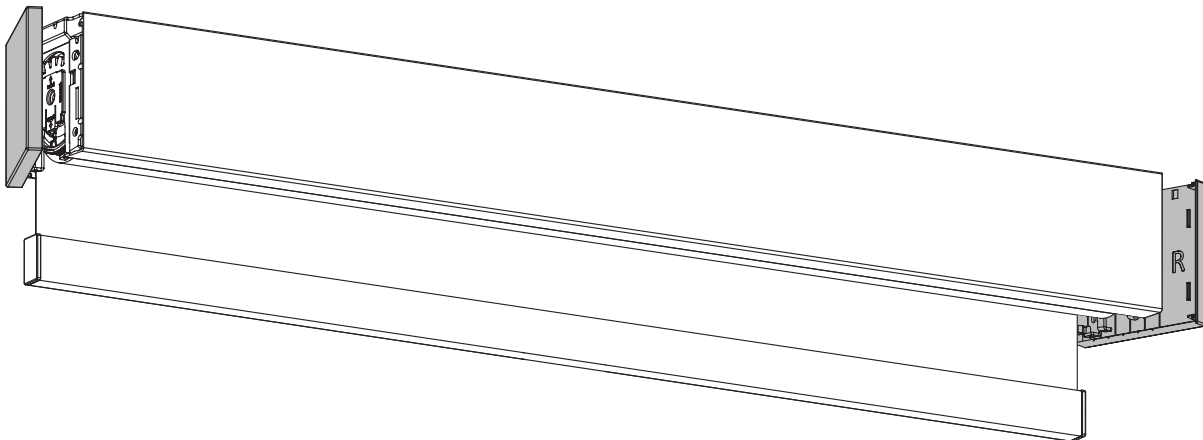
### 7. Attach Square Designer Fascia

- To Attach the Square Designer Fascia, Hook it on to the Top of the Brackets.
- Tilt Backwards and Click into Place.



### 8. Designer Fascia End Caps

- The End Caps can only be Installed when the Shade is Installed as an Outside Mount.



### 9. Operate the Roller Shade

To Lower, simply pull down on the Smooth Hem Bar. To Raise, tug gently to unlock the mechanism and guide it upwards. Operate from the center of the rail to prevent skewing.

#### NEED HELP?

Contact Customer Service • phone: 1-914-665-4545 • email: [cs@windowmodes.com](mailto:cs@windowmodes.com) 5.23





---

**Click, or scan the QR code  
to become a Dealer.**

