



---

# Installation Manual

Roller Shades

## DESIGNER FASCIA CHAIN LOOP

Inside Mount • Jamb Mount • Outside Mount

---



Click, or scan with  
your phone for  
video instructions.



Click, or scan with your phone for video instructions.

## Installation Manual – Roller Shades

# DESIGNER FASCIA CHAIN LOOP

Read the instructions carefully before assembling and using the product.  
Assembling process can be completed by non-professionals. For indoor use only.

### ⚠️ WARNING



Window blind cord can STRANGLE your child.

To prevent strangulation, purchase cordless products or products with inaccessible cords.

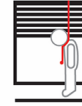
### ⚠️ ADVERTENCIA



La cuerda de la persiana puede ESTRANGULAR a su niño.

Para evitar el estrangulamiento, compre alternativas cuerda o productos con cuerdas inaccesibles.

### ⚠️ MISE EN GARDE



Votre enfant peut S'ÉTRANGLER avec un cordon de store.

Pour éviter la strangulation, achetez un produit sans cordon ou dont le cordon n'est pas accessible.

## DO NOT OPEN WITH SHARP OBJECT – Remove Outer Wrap with Care

Top and Bottom Stops are Not Set at the Factory. See page 7.

## WHAT YOU NEED

We recommend wearing Safety Glasses when installing your Roller Shades.



- Drill
- Drill Bits
- Screwdriver
- Measuring Tape
- Pencil
- Level
- Safety Glasses

### NEED HELP?

Contact Customer Service • phone: 1-914-665-4545 • email: [cs@windowmodes.com](mailto:cs@windowmodes.com)



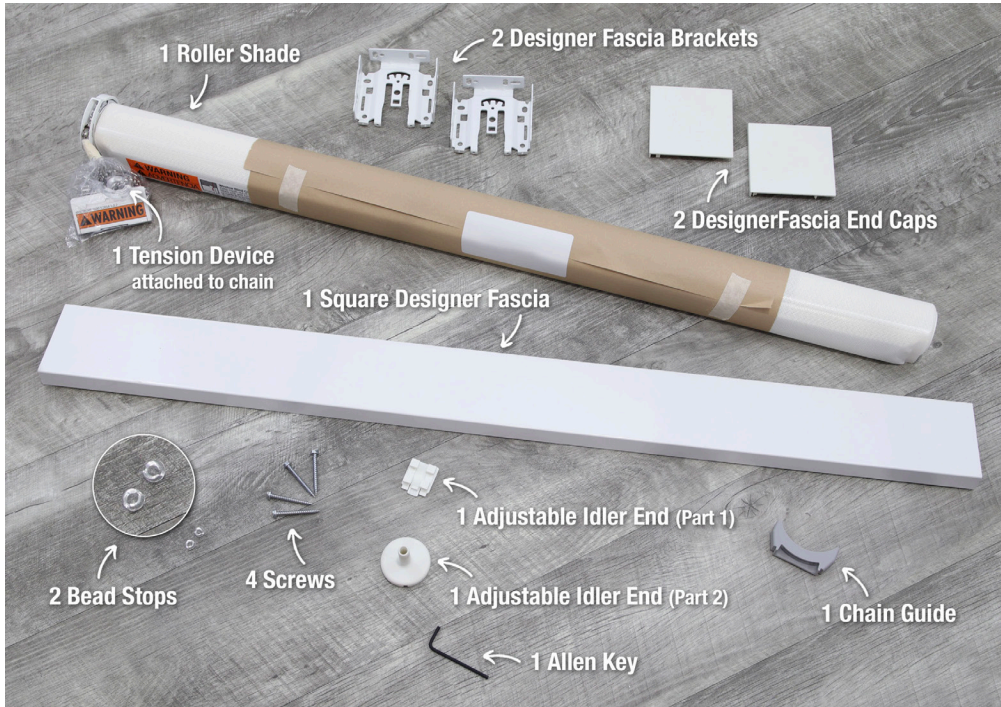
Click, or scan with your phone for video instructions.

# Installation Manual – Roller Shades

## DESIGNER FASCIA CHAIN LOOP

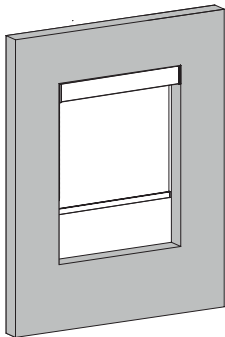
### WHAT'S IN THE BOX

Depending on what you ordered, the fabric and the color of the hardware may be different.



- 1 Roller Shade
- 1 Tension Device attached to chain
- 2 Designer Fascia Brackets
- 2 Designer Fascia End Caps
- 1 Square Designer Fascia
- 1 Adjustable Idler End (Part 1)
- 1 Adjustable Idler End (Part 2)
- 1 Chain Guide
- 1 Allen Key
- 4 Screws
- 2 Bead Stops

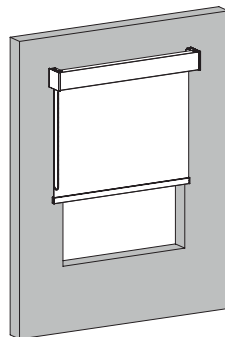
### Mounting Options



#### Inside Mount

With an inside mount the window treatment will be mounted and hung on the inside of the window frame.

An inside mount has a minimum depth requirement.\*



#### Outside Mount

With an outside mount the window treatment will be mounted and hung on the outside of the window frame.

An outside mount does **not** have a minimum depth requirement.

#### Jamb Mount

With a jamb mount the window treatment will be mounted into the vertical sides and hung on the inside of the window frame.

A jamb mount has a minimum depth requirement.\*

### NEED HELP?



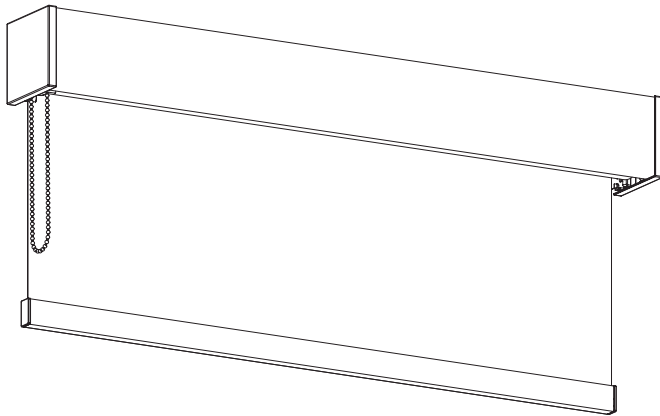
Click, or scan with your phone for video instructions.

# Installation Manual – Roller Shades

## DESIGNER FASCIA CHAIN LOOP

We recommend reading through the instructions before installing your Roller Shades.

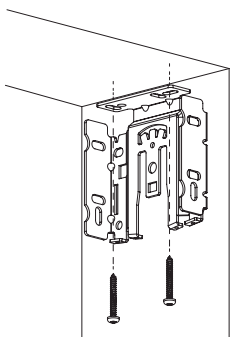
### INSTALLING YOUR ROLLER SHADE



- Check your window before you install your Roller Shade. Brackets must be in line and level. The roller must be level to prevent fabric skewing.
- We recommend wearing Safety Glasses when installing your Roller Shade.
- We recommend wearing Work Gloves to keep your Roller Shade clean while installing it.

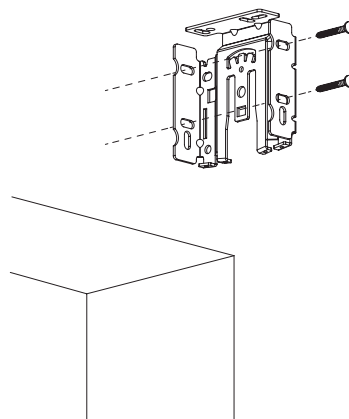
#### 1. Mounting Your Brackets

- Place the Designer Fascia Bracket to Line up with Your Window Frame in the Front.
- Add Pencil Marks Where the two Screws Will Go.
- Pre-Drill the Two Holes.
- Install the Designer Fascia Bracket with Screws.
- Repeat on the Other Side.
- Make Sure Your Designer Fascia Brackets are Level and in Line.



#### Mounting Brackets for INSIDE MOUNT

- For an Inside Mount the Brackets will be mounted on the inside of the window frame.



#### Mounting Brackets for OUTSIDE MOUNT

- For an Outside Mount the Brackets will be mounted on the outside of the window frame.

#### Mounting Brackets for JAMB MOUNT

- For a Jamb Mount the Brackets will be mounted into the vertical sides on the inside of the window frame.

#### NEED HELP?



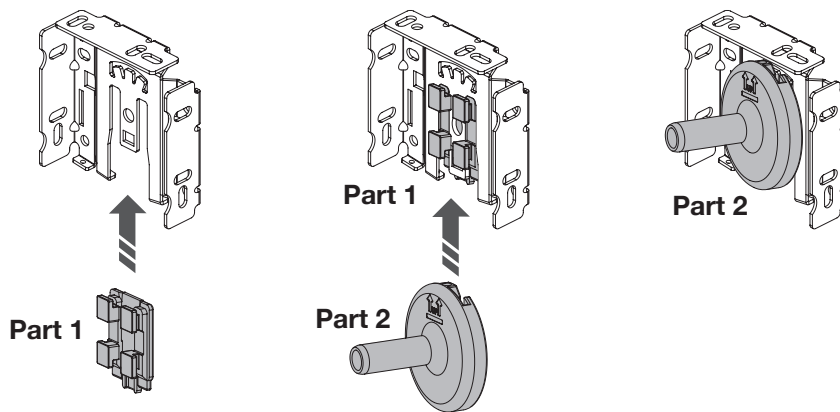
Click, or scan with  
your phone for  
video instructions.

## Installation Manual – Roller Shades

# DESIGNER FASCIA CHAIN LOOP

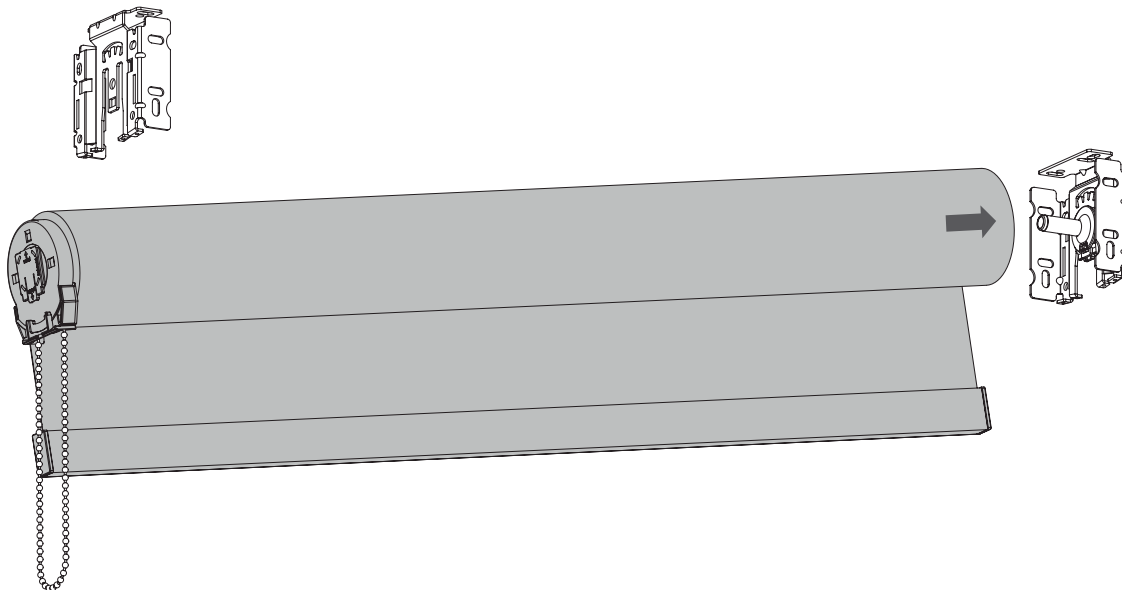
### 2. Adjustable Idler End Part 1 and Part 2

- Slide Part 1 of the Adjustable Idler End on the bracket that will be opposite of the bead chain mechanism.
- Make Sure That the “Metal” Arrow on the Back of Adjustable Idler End Part 1 is Pointing Up.
- Slide Part 2 of the Adjustable Idler End onto the same bracket.
- Make Sure the Arrows on the Front of the Idler End are Pointing Up.



### 3. Hang the Roller Shade

- Insert the Roller Shade Onto the Adjustable Idler End.



#### NEED HELP?

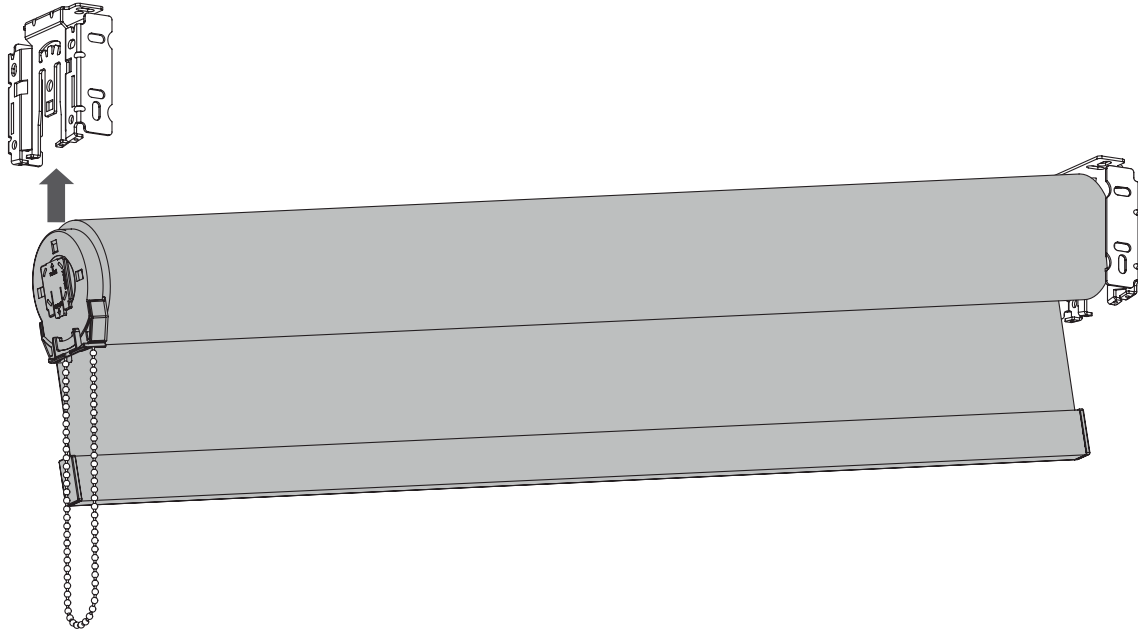


Click, or scan with your phone for video instructions.

## Installation Manual – Roller Shades

# DESIGNER FASCIA CHAIN LOOP

- Slide the Chain Loop side of the roller shade onto the Bracket.
- Make Sure the Roller Shade is Level.

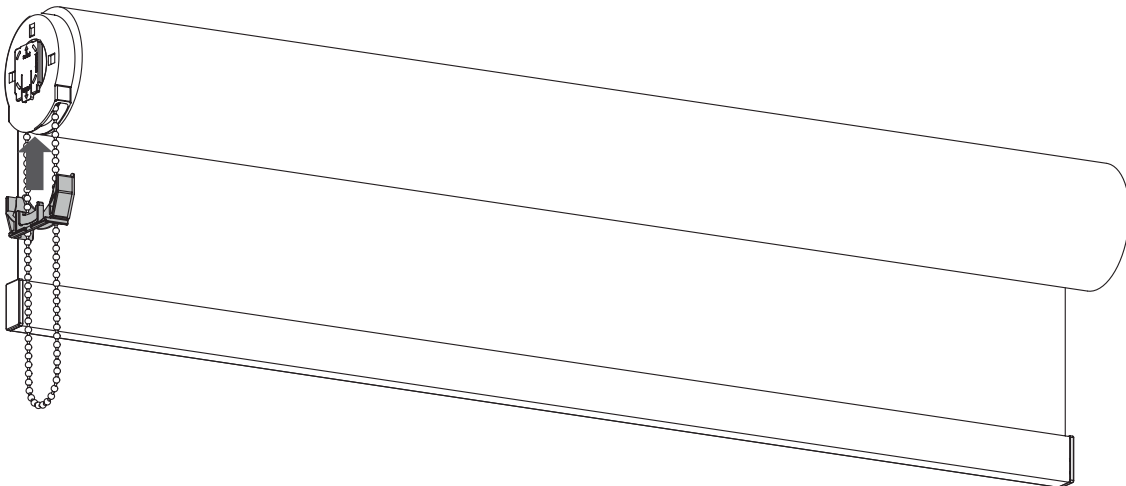


### 4. Remove Paper

- Remove the Protective Paper from the Roller Shade.

### 5. Chain Guide

- Run the Chain Loop Through the Opening of the Chain Guide.
- Raise the Chain Guide Towards the Shade and Click into Place.



### NEED HELP?



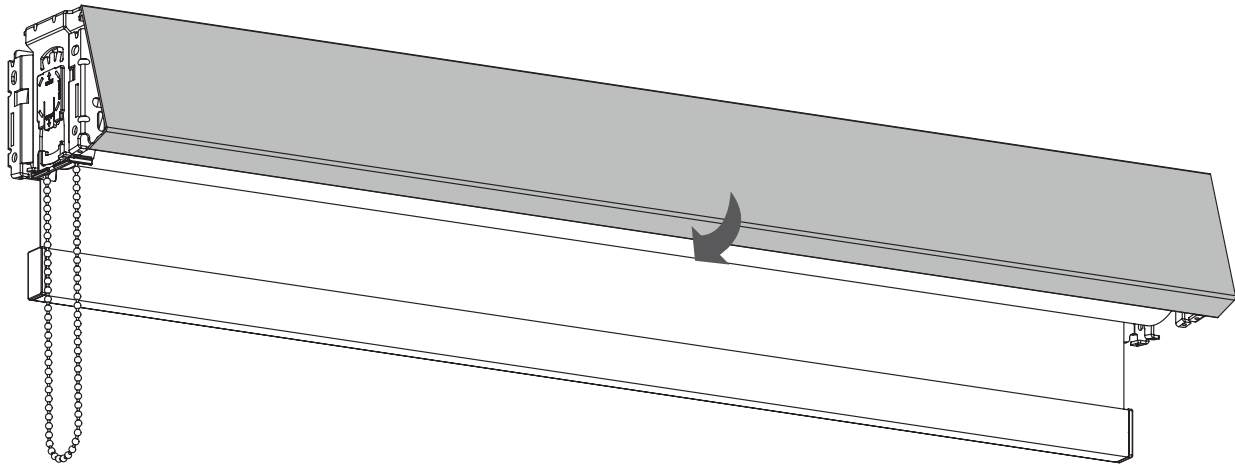
Click, or scan with  
your phone for  
video instructions.

## Installation Manual – Roller Shades

# DESIGNER FASCIA CHAIN LOOP

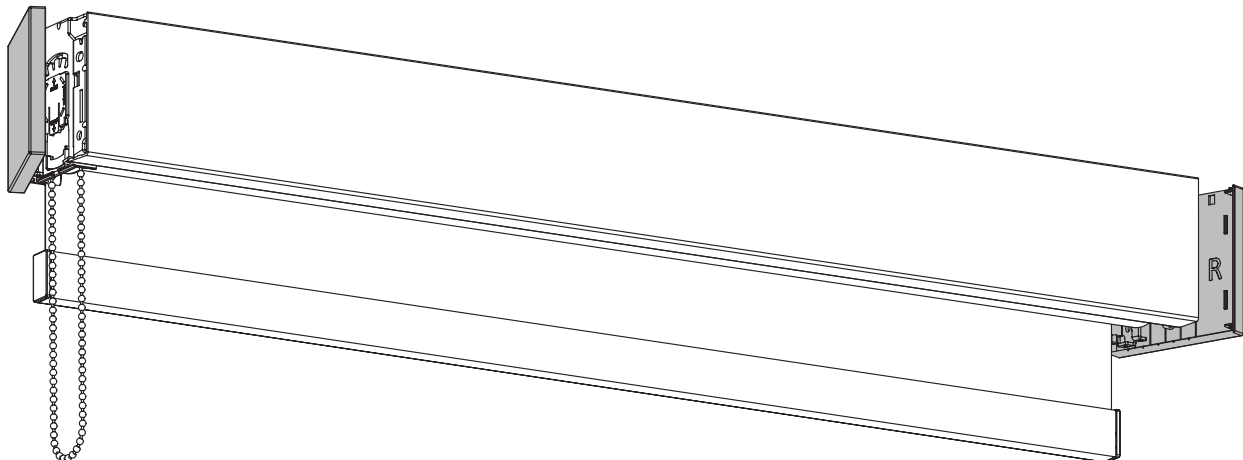
### 6. Attach Square Designer Fascia

- To Attach the Square Designer Fascia, Hook it on to the Top of the Brackets.
- Tilt Backwards and Click into Place.



### 7. Designer Fascia End Caps

- The End Caps can only be Installed when the Shade is Installed as an Outside Mount.



#### NEED HELP?

Contact Customer Service • phone: 1-914-665-4545 • email: [cs@windowmodes.com](mailto:cs@windowmodes.com)



Click, or scan with your phone for video instructions.

# Installation Manual – Roller Shades

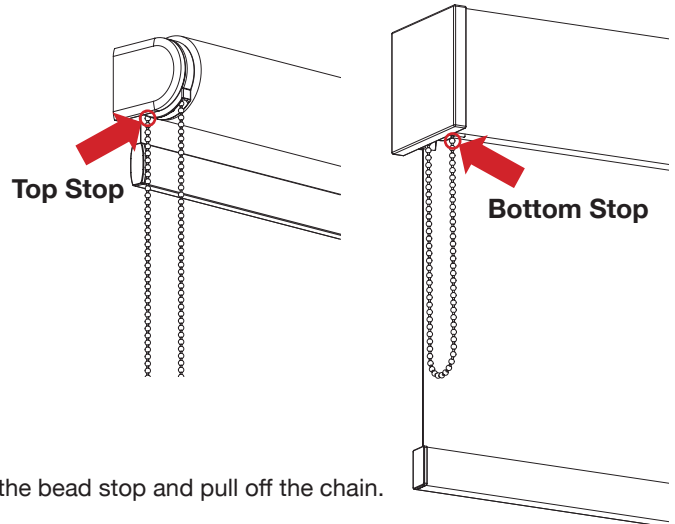
## DESIGNER FASCIA CHAIN LOOP

### 8. Bead Stops

A Bead Stop sets the Limits on a Chain Loop - Pliers required

#### 8a. Set Top Stop

- Roll the shade up to the desired stopping point.
- Locate the bead closest to the clutch mechanism on the REAR part of the chain (closer to the window) and place the clear STOP BEAD two beads above this.



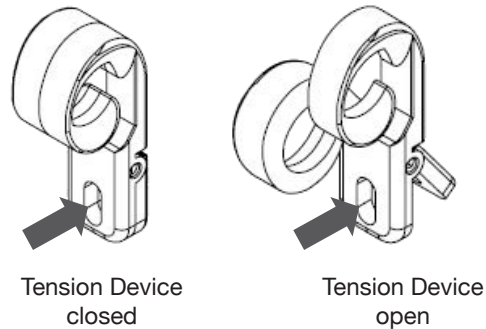
#### 8b. Set Bottom Stop

- Pull the shade down to the desired lowered position.
- Locate the bead closest to the clutch mechanism on the FRONT part of the chain (closer to the room) and place the clear STOP BEAD two beads above this.

To remove a Bead Stop, use pliers to hold onto the back of the bead stop and pull off the chain.

### 9. Install Tension Device

- Position the Tension Device where the Chain is taut.
- Add a pencil mark where the screw will go.
- Pre-drill the hole.
- Attach the Tension Device with a screw.



### 10. Operate the Roller Shade

After installing your tension device, pulling down on either the front or back bead chain will lower or raise your shade. This will vary based on left or right operation, or standard or reverse roll.

#### NEED HELP?





---

**Click, or scan the QR code  
to become a Dealer.**

