



---

# Installation Manual

Roller Shades

## **CURVED CASSETTE SOMFY MOTORIZATION**

Inside Mount • Outside Mount

---



Click, or scan with  
your phone for  
video instructions.



Click, or scan with your phone for video instructions.

## Installation Manual – Roller Shades

# CURVED CASSETTE SOMFY MOTORIZATION

Read the instructions carefully before assembling and using the product.  
Assembling process can be completed by non-professionals. For indoor use only.

## HANDLE WITH CARE – Antenna Attached

## DO NOT OPEN WITH SHARP OBJECT – Remove Outer Wrap with Care

### WHAT YOU NEED

We recommend wearing Safety Glasses when installing your Roller Shades.



- Drill
- Drill Bits
- Screwdriver
- Measuring Tape
- Pencil
- Level
- Safety Glasses

### NEED HELP?

Contact Customer Service • phone: 1-914-665-4545 • email: [cs@windowmodes.com](mailto:cs@windowmodes.com)



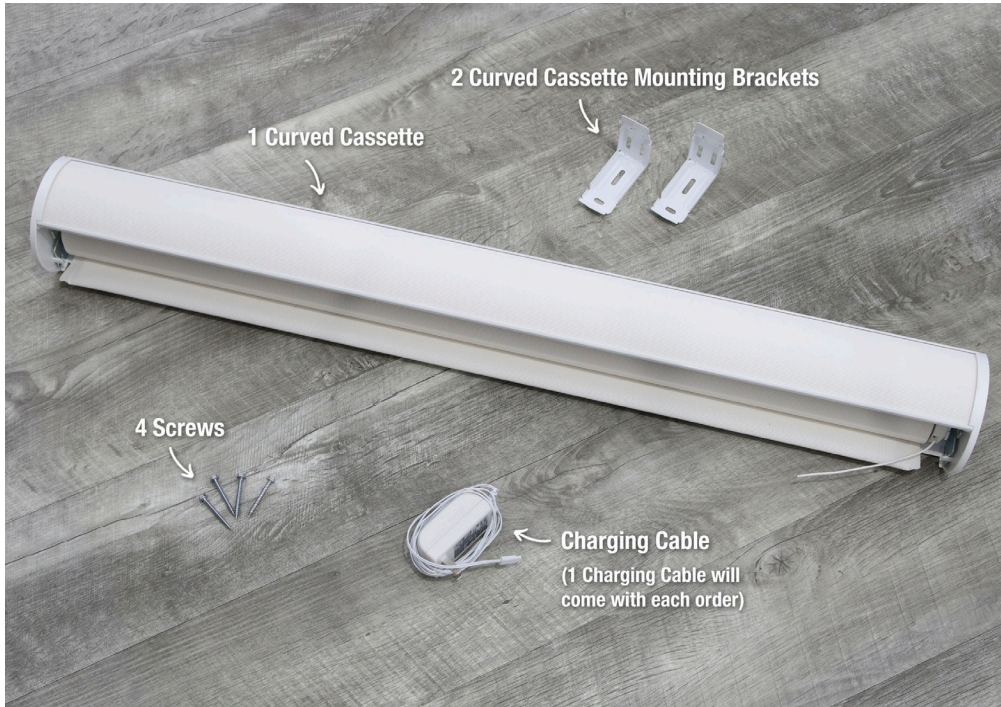
Click, or scan with your phone for video instructions.

## Installation Manual – Roller Shades

# CURVED CASSETTE SOMFY MOTORIZATION

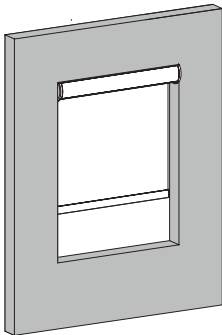
## WHAT'S IN THE BOX

Depending on what you ordered, the fabric and the color of the hardware may be different.



- 1 Curved Cassette
- 2 Curved Cassette Mounting Brackets
- 4 Screws
- Charging Cable  
(1 Charging Cable will come with each order)

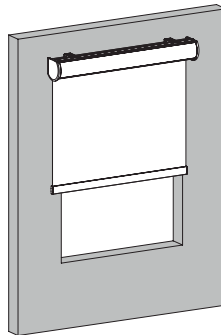
## Mounting Options



### Inside Mount

With an inside mount the window treatment will be mounted and hung on the inside of the window frame.

An inside mount has a minimum depth requirement.\*



### Outside Mount

With an outside mount the window treatment will be mounted and hung on the outside of the window frame.

An outside mount does **not** have a minimum depth requirement.

## NEED HELP?

Contact Customer Service • phone: 1-914-665-4545 • email: [cs@windowmodes.com](mailto:cs@windowmodes.com)



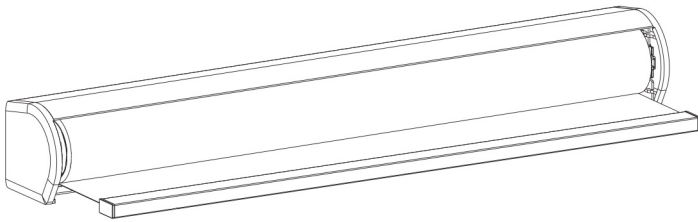
Click, or scan with your phone for video instructions.

## Installation Manual – Roller Shades

# CURVED CASSETTE SOMFY MOTORIZATION

We recommend reading through the instructions before installing your Roller Shades.

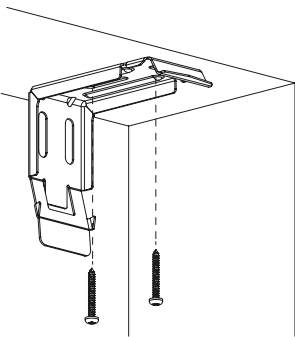
## INSTALLING YOUR ROLLER SHADE



- Check your window before you install your Roller Shade. Brackets must be in line and level. The roller must be level to prevent fabric skewing.
- We recommend wearing Safety Glasses when installing your Roller Shade.
- We recommend wearing Work Gloves to keep your Roller Shade clean while installing it.

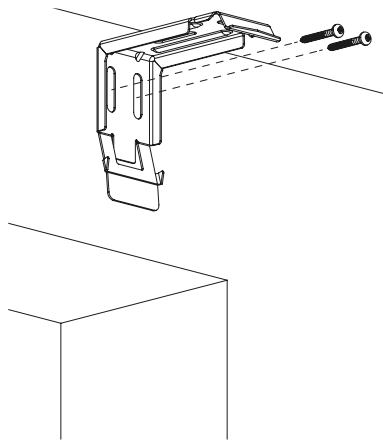
### 1. Mounting Your Brackets

- Measure about 2” in from the Side of Your Window Frame.
- Add Pencil Marks Where the two Screws Will Go.
- Pre-Drill the Two Holes.
- Install the Curved Cassette Mounting Bracket with Screws.
- Repeat on the Other Side.
- Make Sure Your Curved Cassette Mounting Brackets are Level and in Line.



#### Mounting Brackets for INSIDE MOUNT

- For an Inside Mount the Brackets will be mounted on the inside of the window frame.



#### Mounting Brackets for OUTSIDE MOUNT

- For an Outside Mount the Brackets will be mounted on the outside of the window frame.

### NEED HELP?



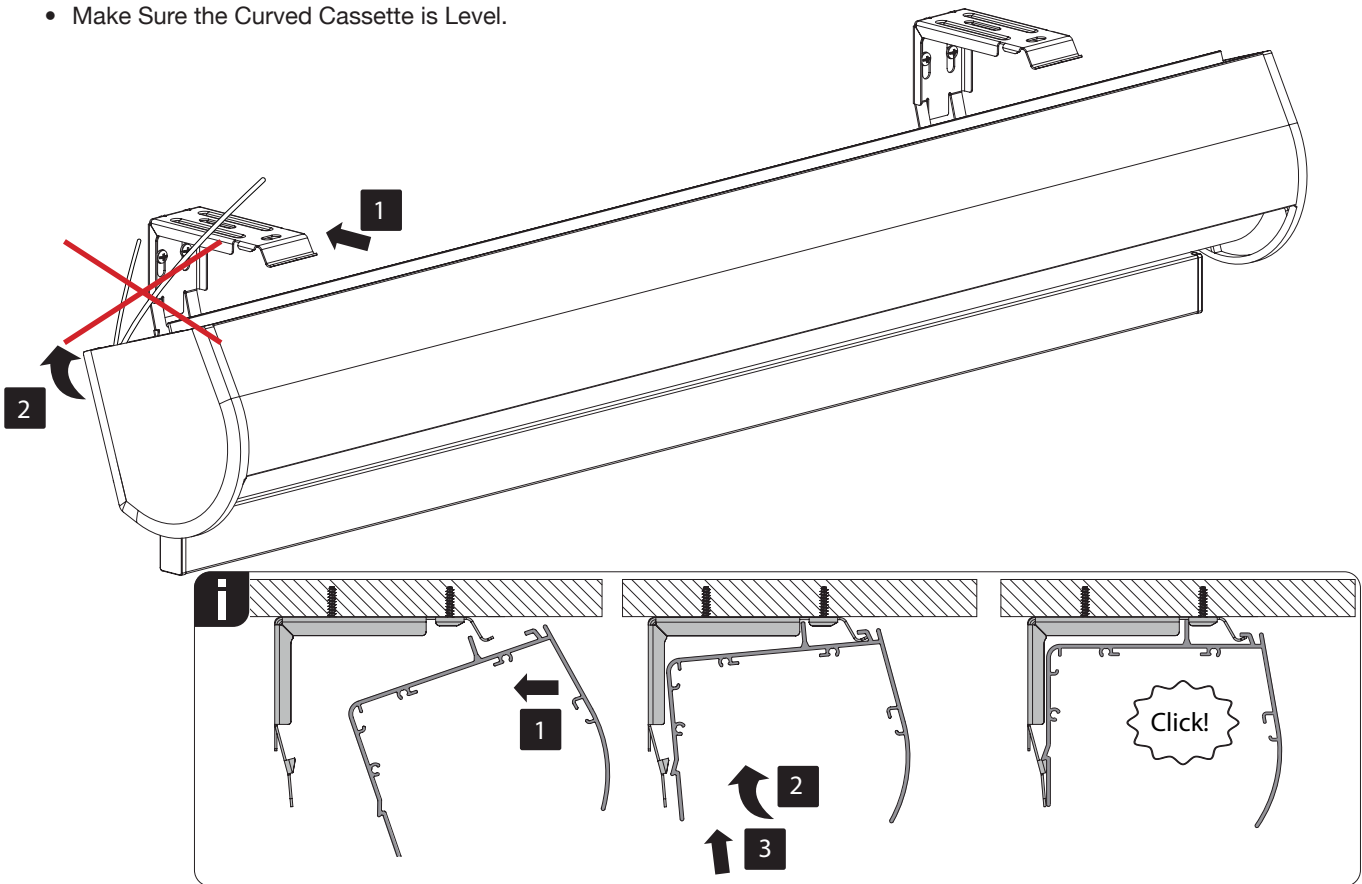
Click, or scan with your phone for video instructions.

## Installation Manual – Roller Shades

# CURVED CASSETTE SOMFY MOTORIZATION

### 2. Install the Curved Cassette

- Ensure the Antenna is clear of the installation brackets to prevent damage.
- To Install the Curved Cassette, Hook It on to the Top of the Brackets.
- Click the Curved Cassette into Place.
- Make Sure the Curved Cassette is Level.



### 3. Operate the Roller Shade

- The upper and lower limits of your shade have been programmed at the factory. To adjust the upper and lower limits for operation of your Remote, click or scan the QR code.



#### NEED HELP?



---

**Click, or scan the QR code  
to become a Dealer.**

