



Installation Manual

Roller Shades

CURVED CASSETTE COULISSE EVE MOTION MOTORIZATION

Inside Mount • Outside Mount



Click, or scan with
your phone for
video instructions.



Click, or scan with your phone for video instructions.

Installation Manual – Roller Shades

CURVED CASSETTE COULISSE EVE MOTION MOTORIZATION

Read the instructions carefully before assembling and using the product.
Assembling process can be completed by non-professionals. For indoor use only.

⚠️ WARNING



Window blind cord can STRANGLE your child.

To prevent strangulation, purchase cordless products or products with inaccessible cords.

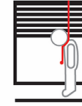
⚠️ ADVERTENCIA



La cuerda de la persiana puede ESTRANGULAR a su niño.

Para evitar el estrangulamiento, compre alternativas cuerda o productos con cuerdas inaccesibles.

⚠️ MISE EN GARDE



Votre enfant peut S'ÉTRANGLER avec un cordon de store.

Pour éviter la strangulation, achetez un produit sans cordon ou dont le cordon n'est pas accessible.

HANDLE WITH CARE – Antenna Attached

DO NOT OPEN WITH SHARP OBJECT – Remove Outer Wrap with Care

WHAT YOU NEED

We recommend wearing Safety Glasses when installing your Roller Shades.



- Drill
- Drill Bits
- Screwdriver
- Measuring Tape
- Pencil
- Level
- Safety Glasses

NEED HELP?

Contact Customer Service • phone: 1-914-665-4545 • email: cs@windowmodes.com



Click, or scan with your phone for video instructions.

Installation Manual – Roller Shades

CURVED CASSETTE COULISSE EVE MOTION MOTORIZATION

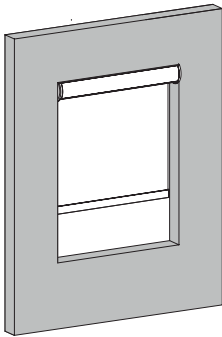
WHAT'S IN THE BOX

Depending on what you ordered, the fabric and the color of the hardware may be different.



- 1 Curved Cassette
- 2 Curved Cassette Mounting Brackets
- 4 Screws
- Charging Cable
(1 Charging Cable will come with each order)

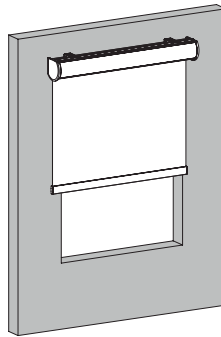
Mounting Options



Inside Mount

With an inside mount the window treatment will be mounted and hung on the inside of the window frame.

An inside mount has a minimum depth requirement.*



Outside Mount

With an outside mount the window treatment will be mounted and hung on the outside of the window frame.

An outside mount does **not** have a minimum depth requirement.

NEED HELP?

Contact Customer Service • phone: 1-914-665-4545 • email: cs@windowmodes.com



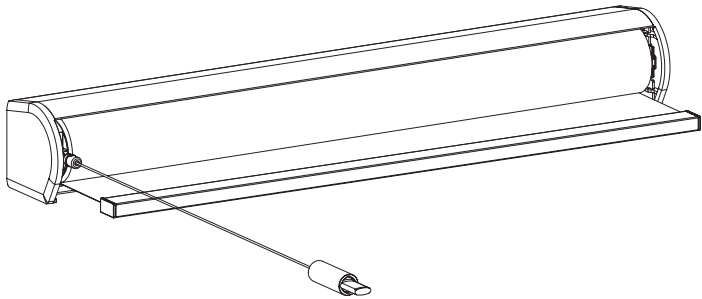
Click, or scan with your phone for video instructions.

Installation Manual – Roller Shades

CURVED CASSETTE COULISSE EVE MOTION MOTORIZATION

We recommend reading through the instructions before installing your Roller Shades.

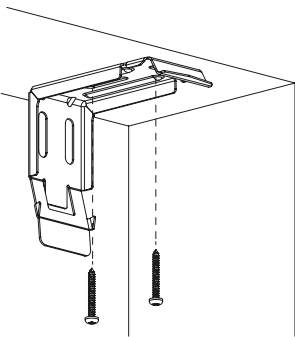
INSTALLING YOUR ROLLER SHADE



- Check your window before you install your Roller Shade. Brackets must be in line and level. The roller must be level to prevent fabric skewing.
- We recommend wearing Safety Glasses when installing your Roller Shade.
- We recommend wearing Work Gloves to keep your Roller Shade clean while installing it.

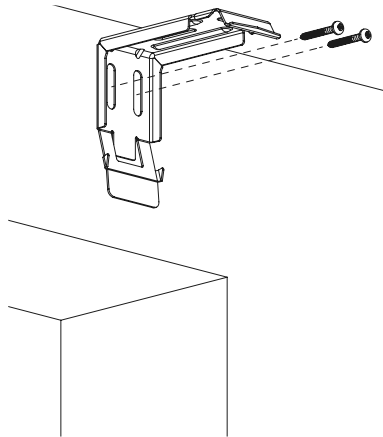
1. Mounting Your Brackets

- Measure about 2” in from the Side of Your Window Frame.
- Add Pencil Marks Where the two Screws Will Go.
- Pre-Drill the Two Holes.
- Install the Curved Cassette Mounting Bracket with Screws.
- Repeat on the Other Side.
- Make Sure Your Curved Cassette Mounting Brackets are Level and in Line.



Mounting Brackets for INSIDE MOUNT

- For an Inside Mount the Brackets will be mounted on the inside of the window frame.



Mounting Brackets for OUTSIDE MOUNT

- For an Outside Mount the Brackets will be mounted on the outside of the window frame.

NEED HELP?

Contact Customer Service • phone: 1-914-665-4545 • email: cs@windowmodes.com



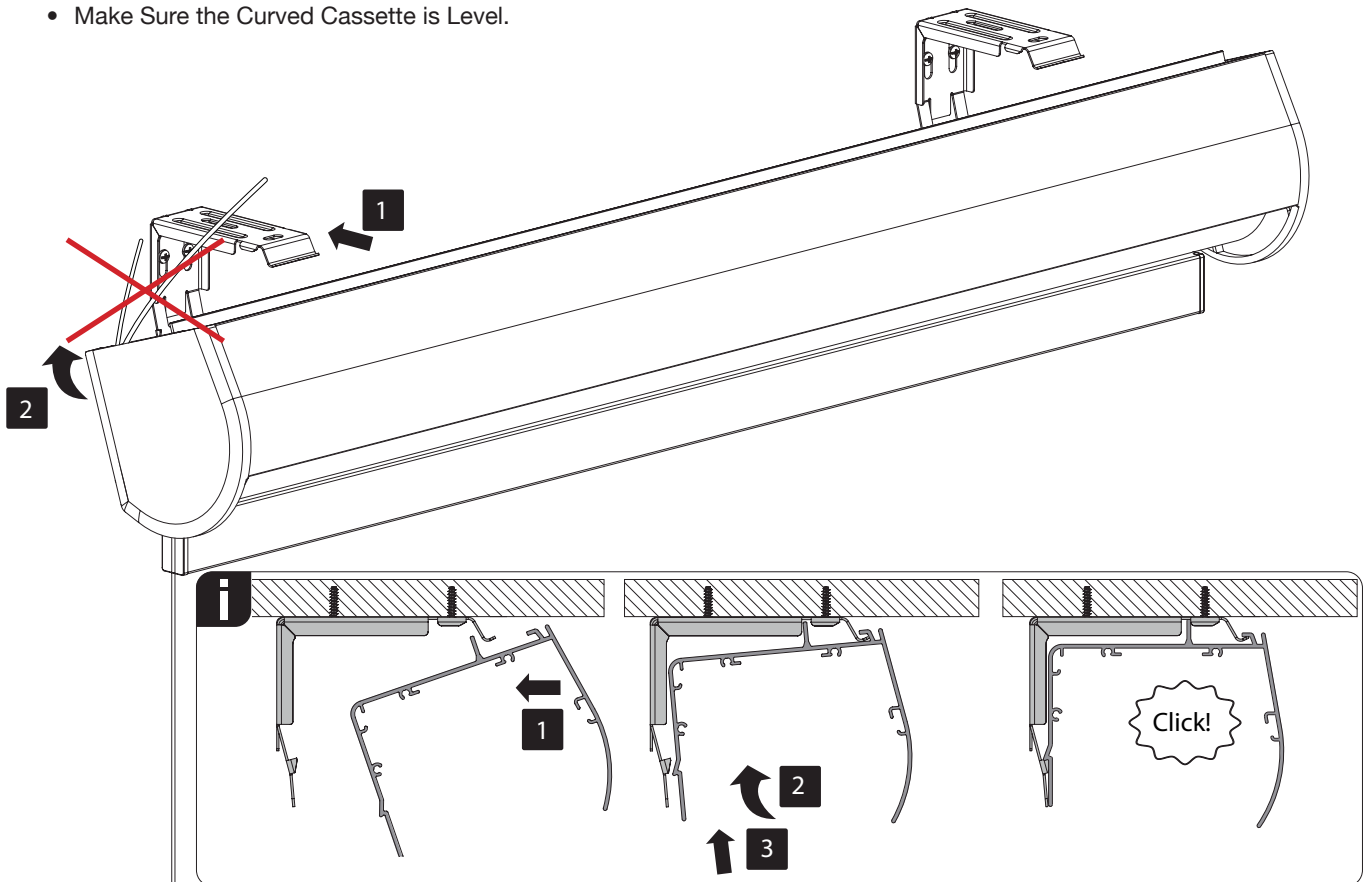
Click, or scan with your phone for video instructions.

Installation Manual – Roller Shades

CURVED CASSETTE COULISSE EVE MOTION MOTORIZATION

2. Install the Curved Cassette

- Ensure the Antenna is clear of the installation brackets to prevent damage.
- To Install the Curved Cassette, Hook It on to the Top of the Brackets.
- Click the Curved Cassette into Place.
- Make Sure the Curved Cassette is Level.



3. Operate the Roller Shade

- The upper and lower limits of your shade have been programmed at the factory. To adjust the upper and lower limits for operation of your Tassel, Remote or phone App, click or scan the QR code.



NEED HELP?

Contact Customer Service • phone: 1-914-665-4545 • email: cs@windowmodes.com



**Click, or scan the QR code
to become a Dealer.**

