



# Installation Manual

Roller Shades

## **CURVED CASSETTE CORDLESS**

Inside Mount • Outside Mount

---



Click, or scan with  
your phone for  
video instructions.



Click, or scan with your phone for video instructions.

## Installation Manual – Roller Shades

# CURVED CASSETTE CORDLESS

Read the instructions carefully before assembling and using the product.  
Assembling process can be completed by non-professionals. For indoor use only.

## DO NOT OPEN WITH SHARP OBJECT – Remove Outer Wrap with Care

### WHAT YOU NEED

We recommend wearing Safety Glasses when installing your Roller Shades.



- Drill
- Drill Bits
- Screwdriver
- Measuring Tape
- Pencil
- Level
- Safety Glasses

### NEED HELP?

Contact Customer Service • phone: 1-914-665-4545 • email: [cs@windowmodes.com](mailto:cs@windowmodes.com)



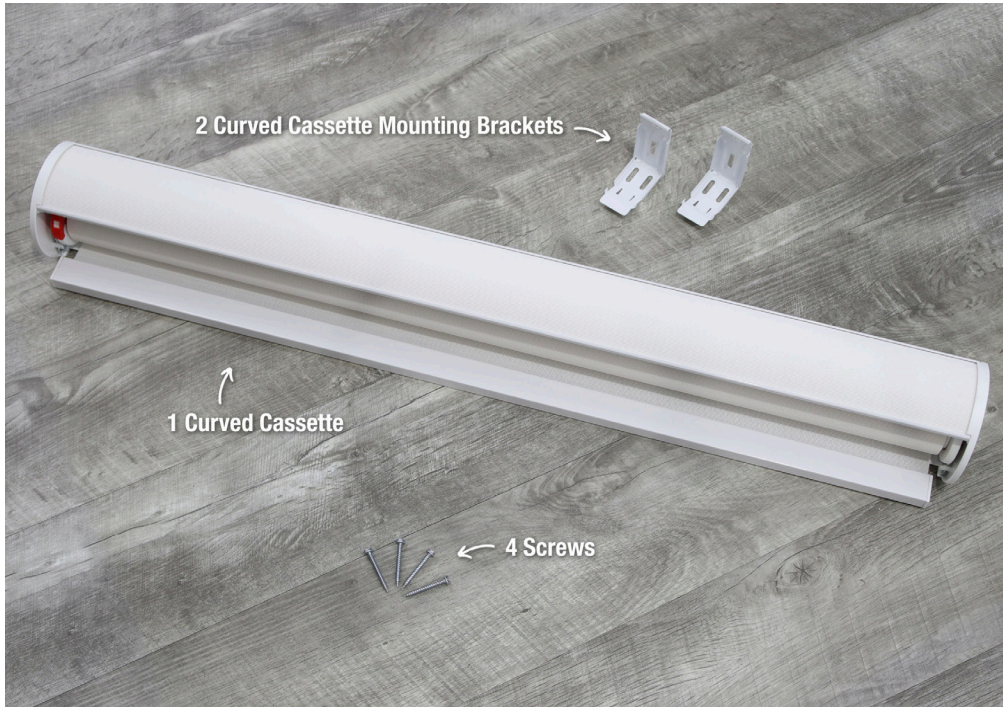
Click, or scan with your phone for video instructions.

# Installation Manual – Roller Shades

## CURVED CASSETTE CORDLESS

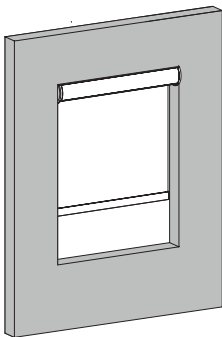
### WHAT'S IN THE BOX

Depending on what you ordered, the fabric and the color of the hardware may be different.



- 1 Curved Cassette
- 2 Curved Cassette Mounting Brackets
- 4 Screws

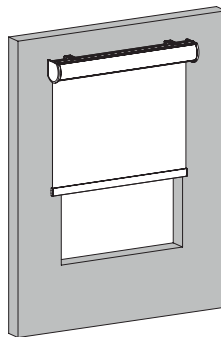
### Mounting Options



#### Inside Mount

With an inside mount the window treatment will be mounted and hung on the inside of the window frame.

An inside mount has a minimum depth requirement.\*



#### Outside Mount

With an outside mount the window treatment will be mounted and hung on the outside of the window frame.

An outside mount does **not** have a minimum depth requirement.

#### NEED HELP?

Contact Customer Service • phone: 1-914-665-4545 • email: [cs@windowmodes.com](mailto:cs@windowmodes.com)



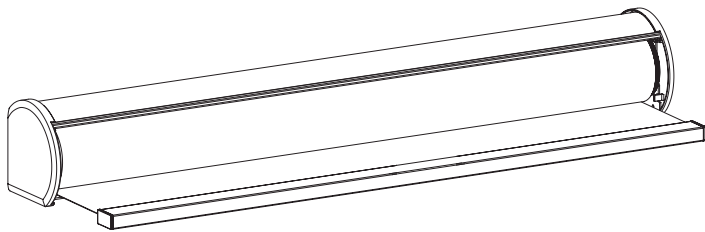
Click, or scan with your phone for video instructions.

# Installation Manual – Roller Shades

## CURVED CASSETTE CORDLESS

We recommend reading through the instructions before installing your Roller Shades.

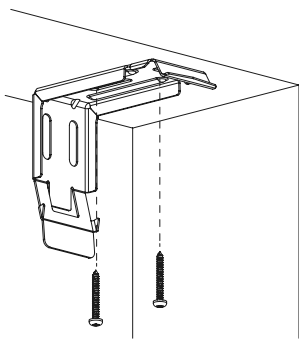
### INSTALLING YOUR ROLLER SHADE



- Check your window before you install your Roller Shade. Brackets must be in line and level. The roller must be level to prevent fabric skewing.
- We recommend wearing Safety Glasses when installing your Roller Shade.
- We recommend wearing Work Gloves to keep your Roller Shade clean while installing it.

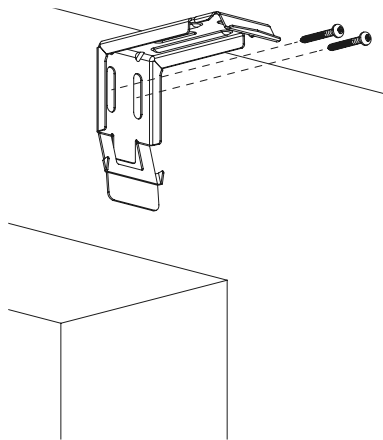
#### 1. Mounting Your Brackets

- Measure about 2” in from the Side of Your Window Frame.
- Add Pencil Marks Where the two Screws Will Go.
- Pre-Drill the Two Holes.
- Install the Curved Cassette Mounting Bracket with Screws.
- Repeat on the Other Side.
- Make Sure Your Curved Cassette Mounting Brackets are Level and in Line.



#### Mounting Brackets for INSIDE MOUNT

- For an Inside Mount the Brackets will be mounted on the inside of the window frame.



#### Mounting Brackets for OUTSIDE MOUNT

- For an Outside Mount the Brackets will be mounted on the outside of the window frame.

#### NEED HELP?

Contact Customer Service • phone: 1-914-665-4545 • email: [cs@windowmodes.com](mailto:cs@windowmodes.com)



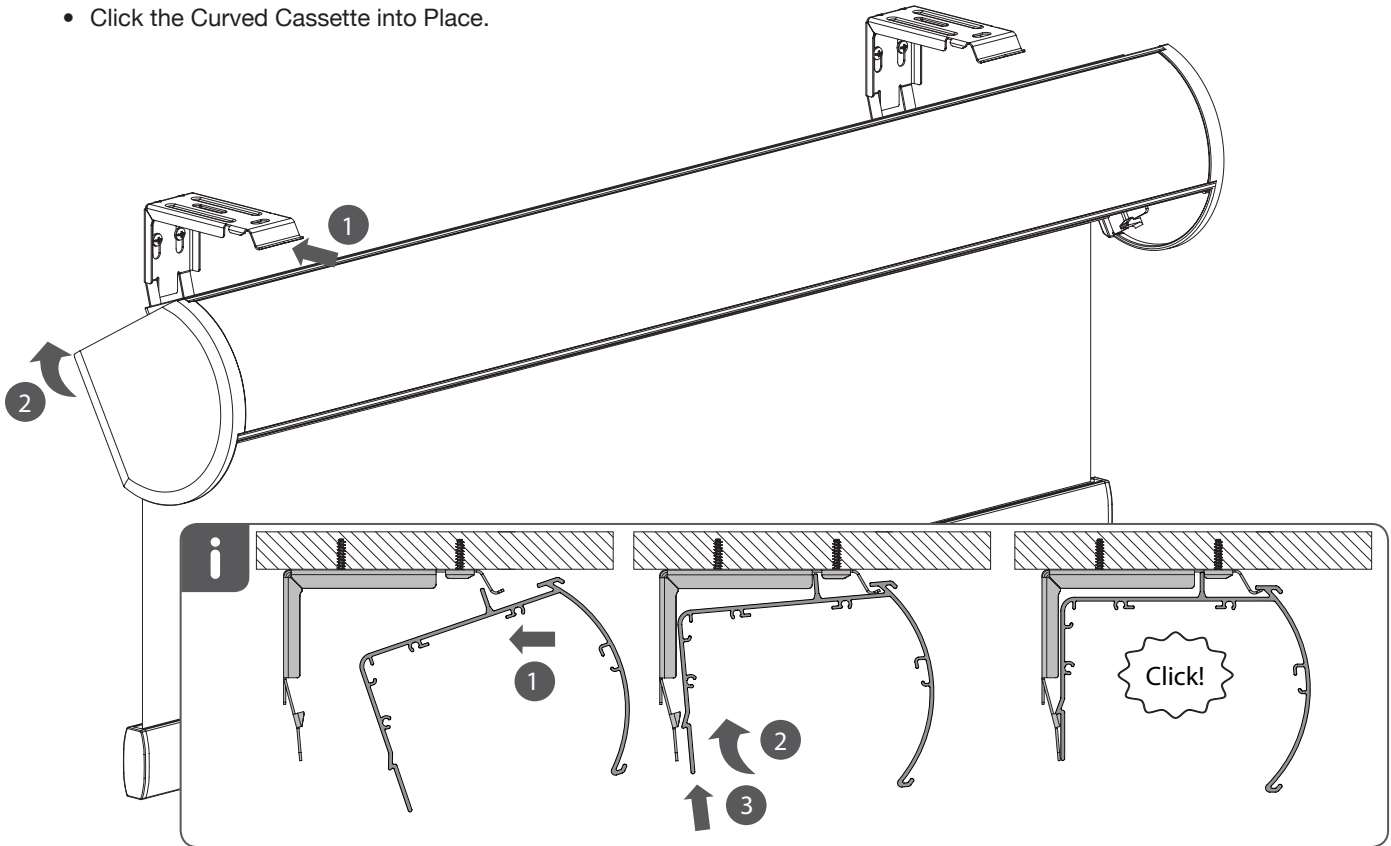
Click, or scan with your phone for video instructions.

# Installation Manual – Roller Shades

## CURVED CASSETTE CORDLESS

### 2. Install the Curved Cassette

- To Install the Curved Cassette, Hook It on to the Top of the Brackets.
- Click the Curved Cassette into Place.



### NEED HELP?



Click, or scan with your phone for video instructions.

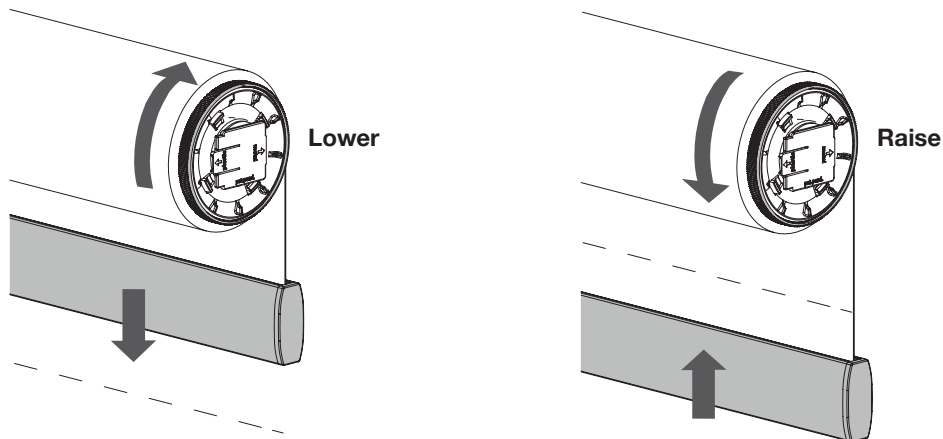
## Installation Manual – Roller Shades

# CURVED CASSETTE CORDLESS

### 3. Adjust Top Position

The top stop and speed of your roller shade is set at the factory. Follow the below instructions only if changes are desired. To Adjust, make sure your shade is fully raised to it's upper limit.

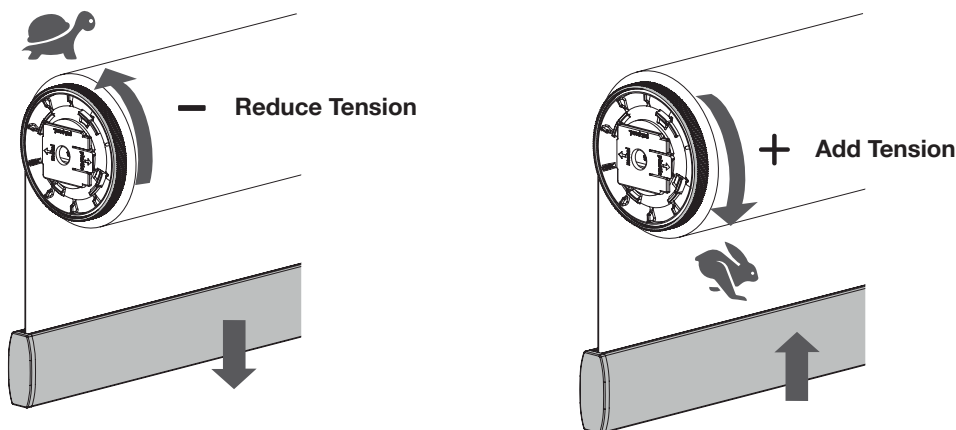
- Turn the RIGHT wheel away from you will lower the shade.  
Turning the wheel towards the room will raise the shade



**Warning:** Do NOT raise it where the bottom rail will hit the fabric roll. This could damage the fabric over time.

### 4. Adjust Tension

- The Left Wheel will adjust the spring tension. This changes the roll-up speed.



### 5. Operate the Roller Shade

To Lower, simply pull down on the Smooth Hem Bar. To Raise, tug gently to unlock the mechanism and guide it upwards. Operate from the center of the rail to prevent skewing.

#### NEED HELP?

Contact Customer Service • phone: 1-914-665-4545 • email: [cs@windowmodes.com](mailto:cs@windowmodes.com) 5.23



---

**Click, or scan the QR code  
to become a Dealer.**

