



Installation Manual

Roller Shades

CURVED CASSETTE CHAIN LOOP

Inside Mount • Outside Mount



Click, or scan with
your phone for
video instructions.



Click, or scan with your phone for video instructions.

Installation Manual – Roller Shades

CURVED CASSETTE CHAIN LOOP

Read the instructions carefully before assembling and using the product.
Assembling process can be completed by non-professionals. For indoor use only.

⚠️ WARNING



Window blind cord can STRANGLE your child.

To prevent strangulation, purchase cordless products or products with inaccessible cords.

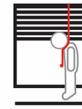
⚠️ ADVERTENCIA



La cuerda de la persiana puede ESTRANGULAR a su niño.

Para evitar el estrangulamiento, compre alternativas cuerda o productos con cuerdas inaccesibles.

⚠️ MISE EN GARDE



Votre enfant peut S'ÉTRANGLER avec un cordon de store.

Pour éviter la strangulation, achetez un produit sans cordon ou dont le cordon n'est pas accessible.

DO NOT OPEN WITH SHARP OBJECT – Remove Outer Wrap with Care

Top and Bottom Stops are Not Set at the Factory. See page 4.

WHAT YOU NEED

We recommend wearing Safety Glasses when installing your Roller Shades.



- Drill
- Drill Bits
- Screwdriver
- Measuring Tape
- Pencil
- Level
- Safety Glasses

NEED HELP?

Contact Customer Service • phone: 1-914-665-4545 • email: cs@windowmodes.com



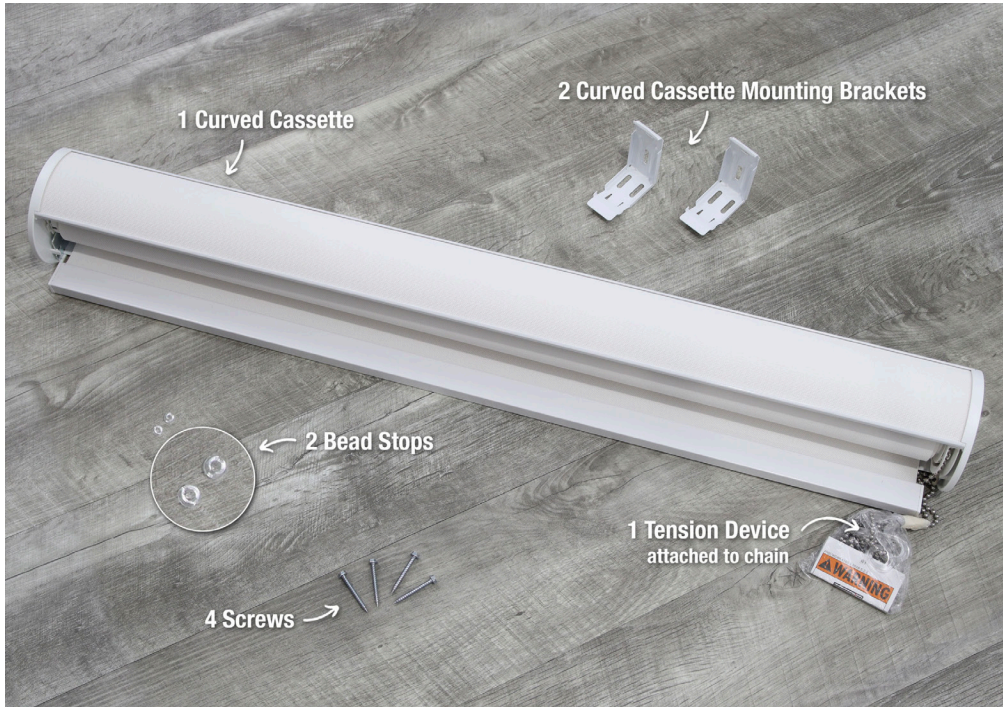
Click, or scan with your phone for video instructions.

Installation Manual – Roller Shades

CURVED CASSETTE CHAIN LOOP

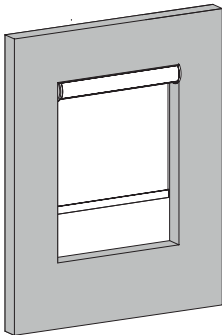
WHAT'S IN THE BOX

Depending on what you ordered, the fabric and the color of the hardware may be different.



- 1 Curved Cassette
- 1 Tension Device attached to chain
- 2 Curved Cassette Mounting Brackets
- 4 Screws
- 2 Bead Stops

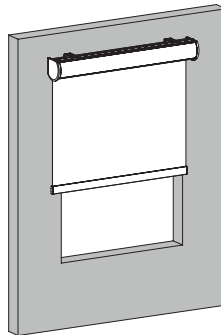
Mounting Options



Inside Mount

With an inside mount the window treatment will be mounted and hung on the inside of the window frame.

An inside mount has a minimum depth requirement.*



Outside Mount

With an outside mount the window treatment will be mounted and hung on the outside of the window frame.

An outside mount does **not** have a minimum depth requirement.

NEED HELP?

Contact Customer Service • phone: 1-914-665-4545 • email: cs@windowmodes.com



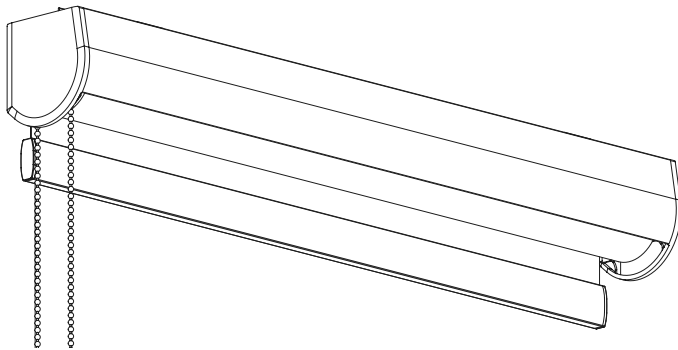
Click, or scan with your phone for video instructions.

Installation Manual – Roller Shades

CURVED CASSETTE CHAIN LOOP

We recommend reading through the instructions before installing your Roller Shades.

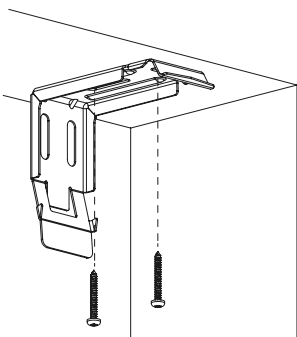
INSTALLING YOUR ROLLER SHADE



- Check your window before you install your Roller Shade. Brackets must be in line and level. The roller must be level to prevent fabric skewing.
- We recommend wearing Safety Glasses when installing your Roller Shade.
- We recommend wearing Work Gloves to keep your Roller Shade clean while installing it.

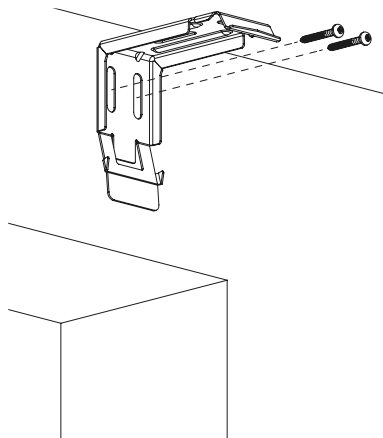
1. Mounting Your Brackets

- Measure about 2” in from the Side of Your Window Frame.
- Add Pencil Marks Where the two Screws Will Go.
- Pre-Drill the Two Holes.
- Install the Curved Cassette Mounting Bracket with Screws.
- Repeat on the Other Side.
- Make Sure Your Curved Cassette Mounting Brackets are Level and in Line.



Mounting Brackets for INSIDE MOUNT

- For an Inside Mount the Brackets will be mounted on the inside of the window frame.



Mounting Brackets for OUTSIDE MOUNT

- For an Outside Mount the Brackets will be mounted on the outside of the window frame.

NEED HELP?

Contact Customer Service • phone: 1-914-665-4545 • email: cs@windowmodes.com



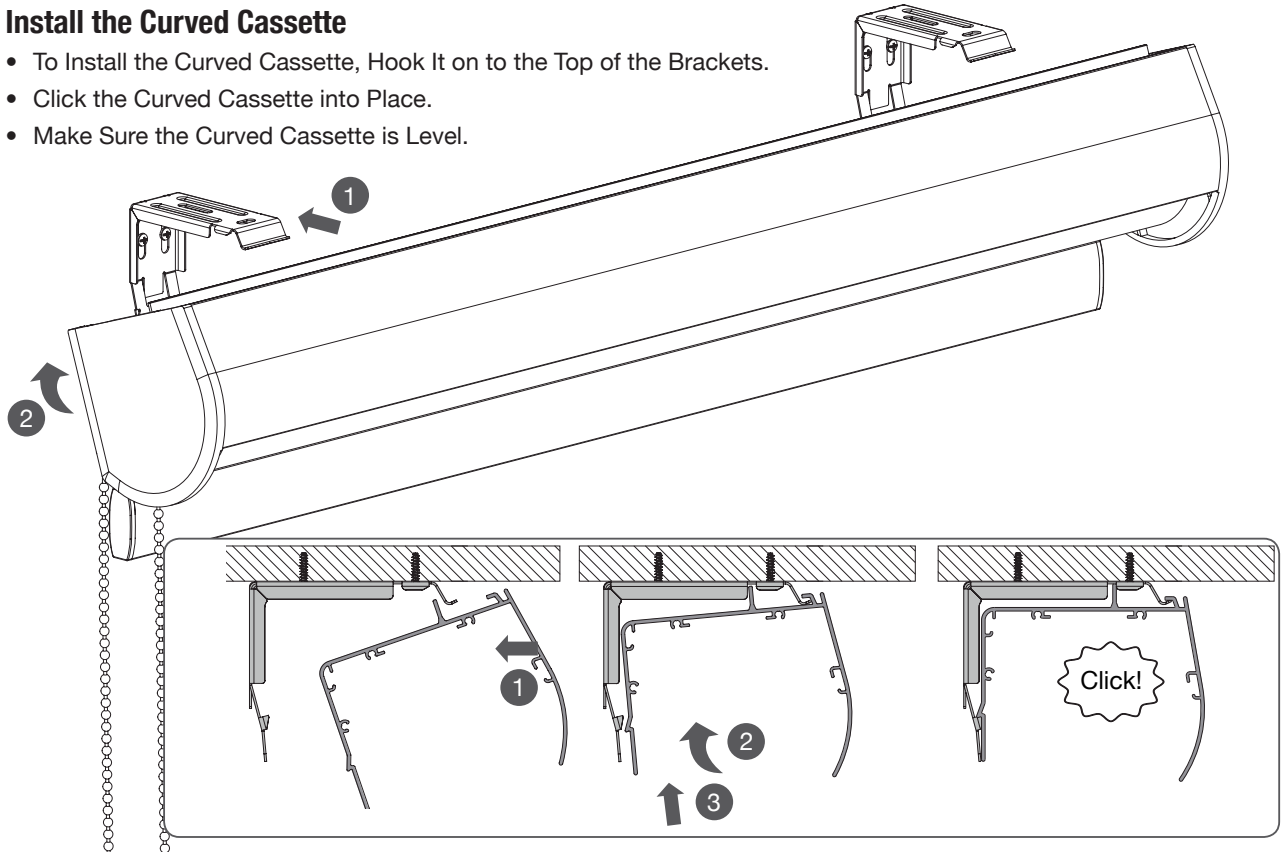
Click, or scan with your phone for video instructions.

Installation Manual – Roller Shades

CURVED CASSETTE CHAIN LOOP

2. Install the Curved Cassette

- To Install the Curved Cassette, Hook It on to the Top of the Brackets.
- Click the Curved Cassette into Place.
- Make Sure the Curved Cassette is Level.



3. Bead Stops

A Bead Stop sets the Limits on a Chain Loop - Pliers required

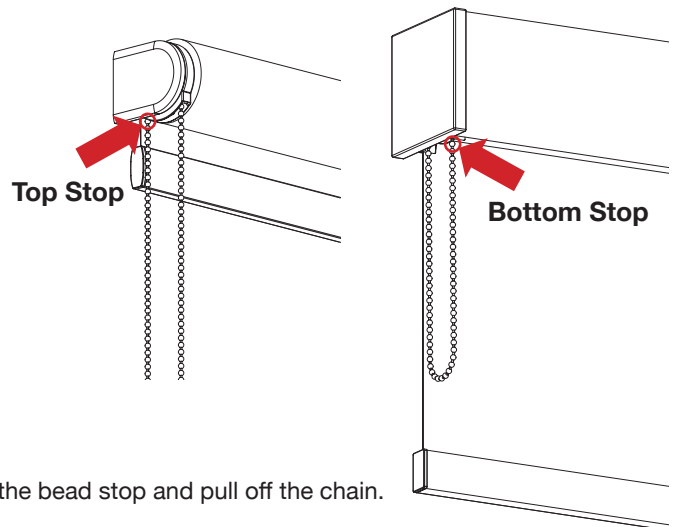
3a. Set Top Stop

- Roll the shade up to the desired stopping point.
- Locate the bead closest to the clutch mechanism on the REAR part of the chain (closer to the window) and place the clear STOP BEAD two beads above this.

3b. Set Bottom Stop

- Pull the shade down to the desired lowered position.
- Locate the bead closest to the clutch mechanism on the FRONT part of the chain (closer to the room) and place the clear STOP BEAD two beads above this.

To remove a Bead Stop, use pliers to hold onto the back of the bead stop and pull off the chain.



NEED HELP?



Click, or scan with your phone for video instructions.

Installation Manual – Roller Shades

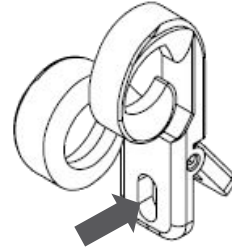
CURVED CASSETTE CHAIN LOOP

4. Install Tension Device

- Position the Tension Device where the Chain is taut.
- Add a pencil mark where the screw will go.
- Pre-drill the hole.
- Attach the Tension Device with a screw.



Tension Device
closed



Tension Device
open

5. Operate the Roller Shade

After installing your tension device, pulling down on either the front or back bead chain will lower or raise your shade. This will vary based on left or right operation, or standard or reverse roll.

NEED HELP?



**Click, or scan the QR code
to become a Dealer.**

