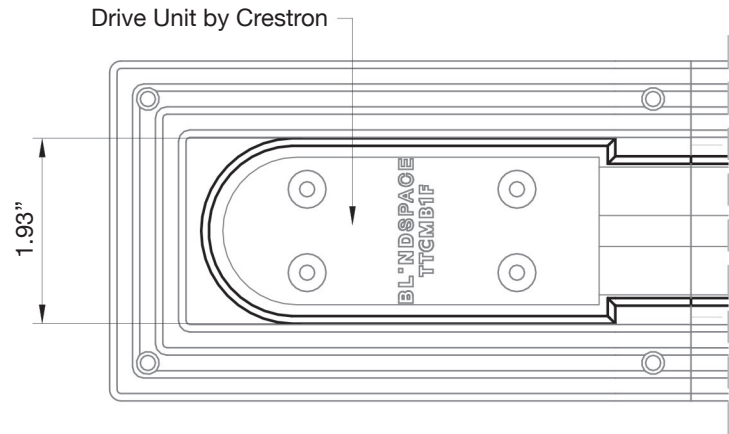
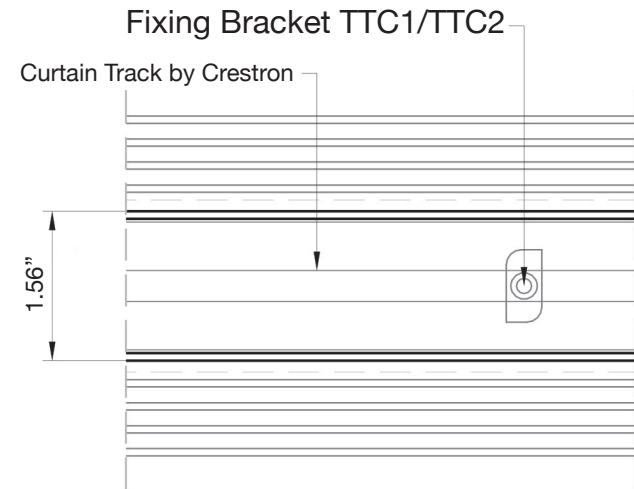


Blindspace TrackTrim®
for CRESTRON CSS-DRAPERY Drapery Track with motor end and return end

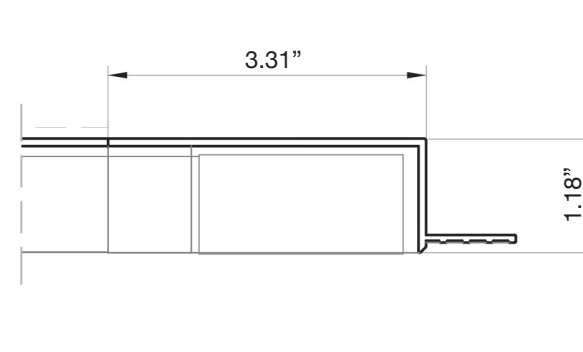
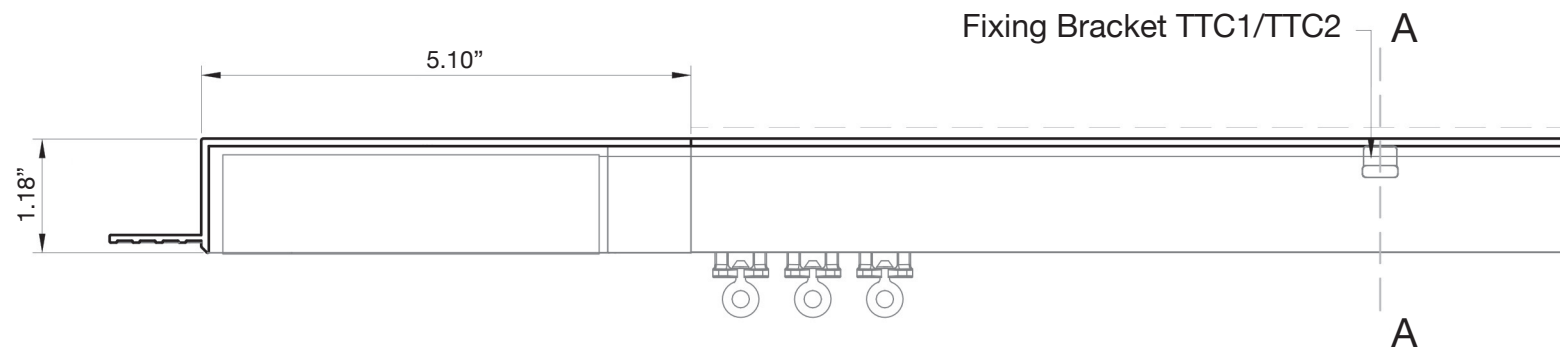
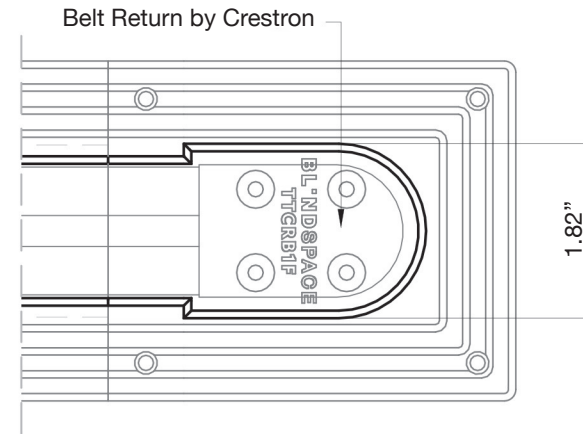
MOTOR BOX TTCMB1F



TRACK PROFILE TT1F/TT2F



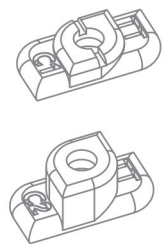
RETURN BOX TTCRB1F



6"-1' scale

FIXING BRACKET

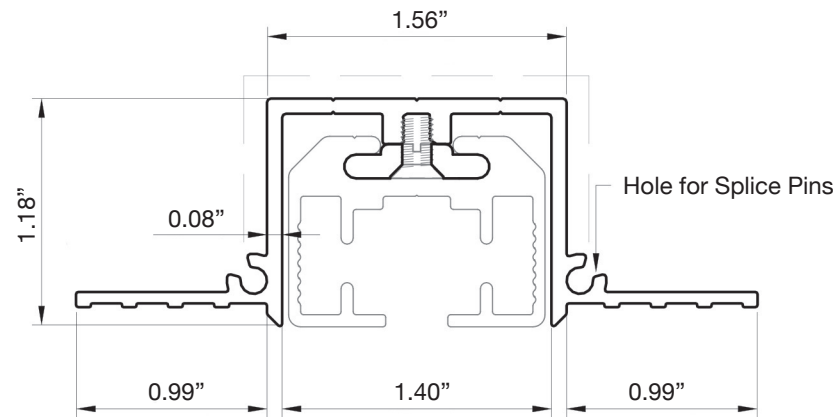
TTC1/TTC2 - Fixing Bracket



Fixing Brackets for drapery track, TTC1 for TT1F TrackTrim profile, TTC2 for TT2F TrackTrim profile.

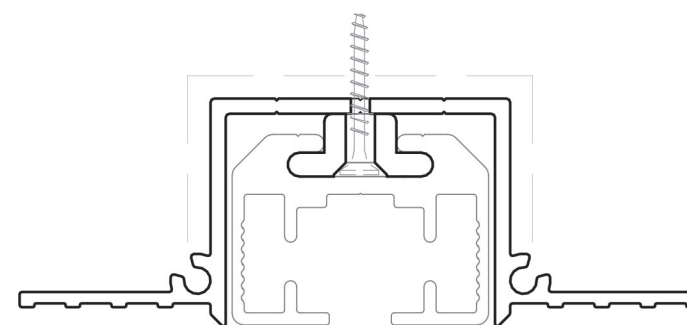
SECTION A-A TT1F PROFILE

TT1F - Track with Screw Channel, possible Screw-Through Fixing



SECTION A-A TT2F PROFILE (OPTIONAL)

TT2F - Track for Screw-Through Fixing



1"-1' scale full scale

Product	Blindspace TrackTrim
Description	Recessed profiles to house curtain tracks.
Drapery size	Please see size chart and supplier details for drapery such as max. length and weight.
Finishes	White to be plastered in and decorated at site to match ceiling.
Material	Track EN 6063 T6, End set PLA Thermoplastic Polyester
Optional accessories	Curve Sections for bent tracks Long Splice Pins for joining
Track length	6'-74" [2000mm] Cut to size for shorter lengths. Spliced together for longer lengths.
Installation	Tracks to be fixed with countersunk screws every 7.87" [200mm] through back (and both flanges when available) into appropriate backing. Scrim tape to be used on flanges. Finished plaster level to be flush with chamfered edge. Allow 0.12" [3mm] recess space for ease of installation, shown in dash line around tracks
Print date	07/07/2023
Page size	11"x17"
Print file	blindspace tracktrim with crst css [inch]. dwg

BL'NDSPACE®
FOR
window modes