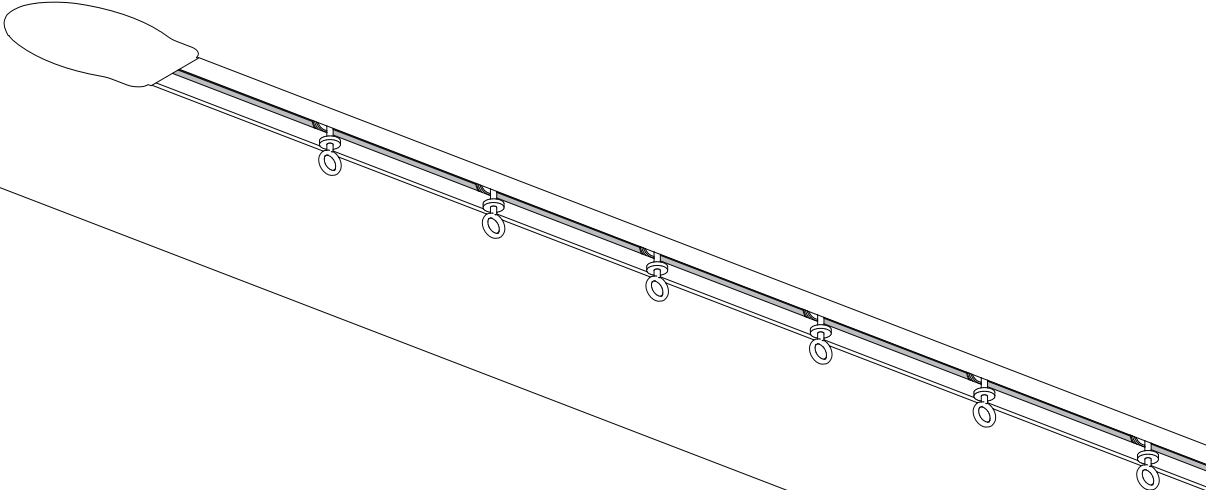


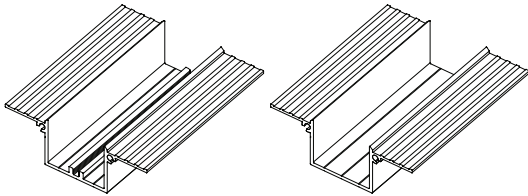
**INSTALLING BLINDSPACE®
TRACKTRIM® FOR DRAPERY TRACKS**



INSTALLING BLINDSPACE® TRACKTRIM® FOR DRAPERY TRACKS

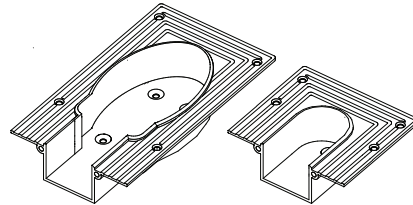
NOTE: Tracks must be securely attached to a solid blocking above as the weight of the drapery will be carried by the tracks. Most weight will be carried where the draperies stack. System fixings are never supplied by Blindspace, installer to ensure their fixing are suitable.

PARTS

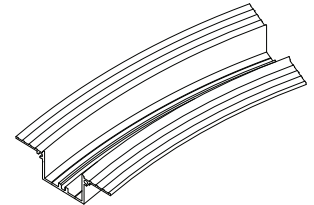


With Screw Channel Without Screw Channel

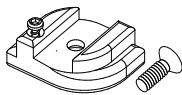
Tracks



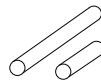
End set



Curved Section

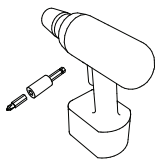


Fixing Bracket

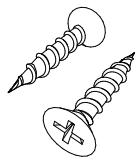


Splice Pins

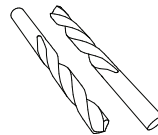
TOOLS



Screw Driver/Driller



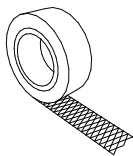
Countersunk Screws



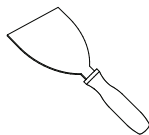
Drill Bits
5/64", 5/32", 1/4", 3/8"



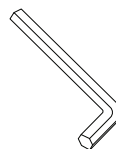
Countersink Drill Bit



Scrim Tape



Scraper



Allen Key

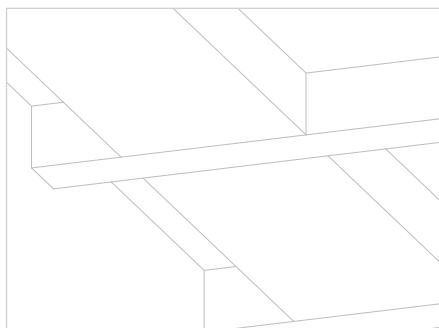
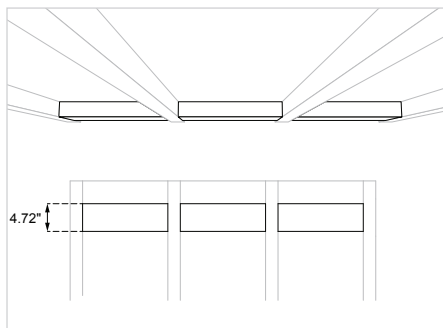


Hand Screw Driver

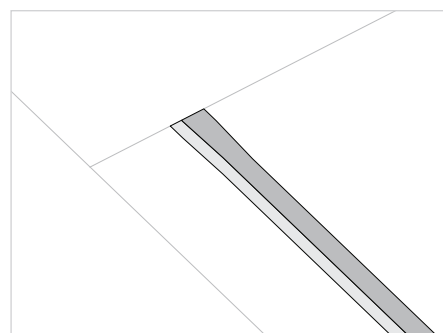
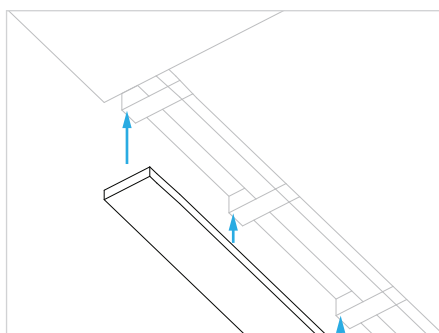
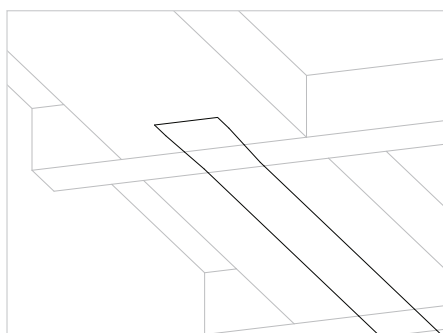
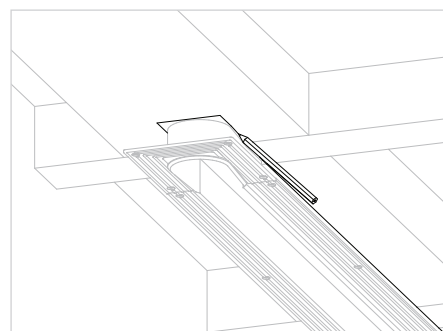
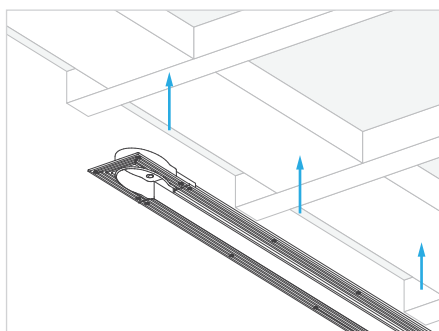
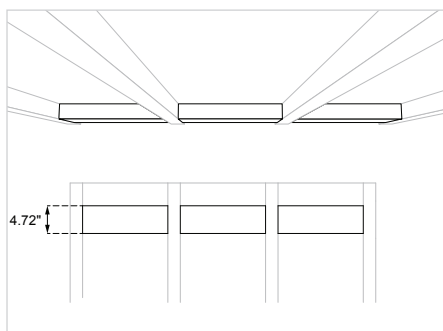
INSTALLING BLINDSPACE® TRACKTRIM® FOR DRAPERY TRACKS

INSTALLATION OPTIONS

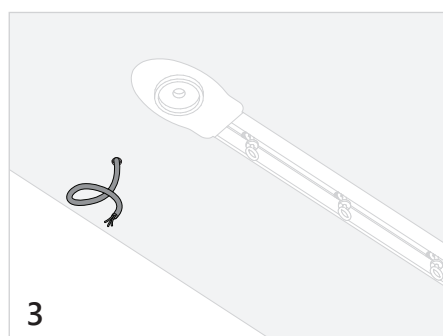
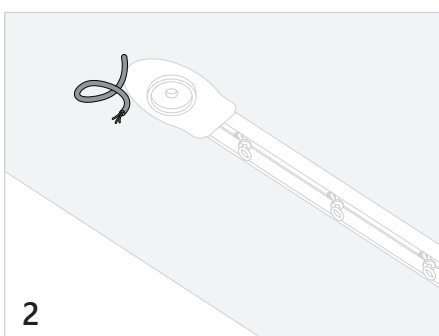
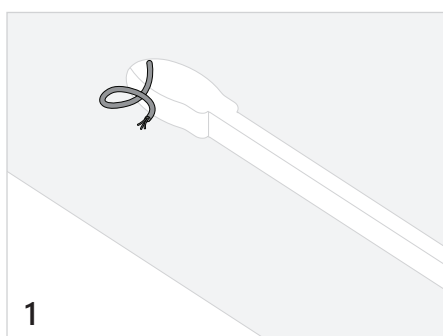
A. Blocking Only



B. Blocking with Prepared Recess

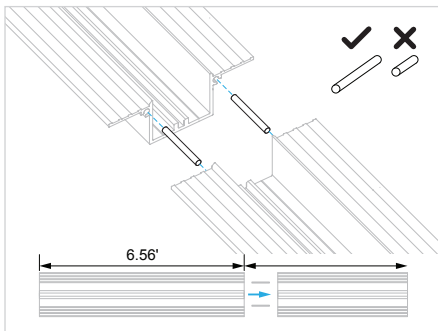
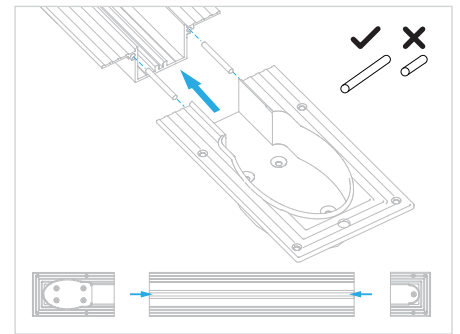
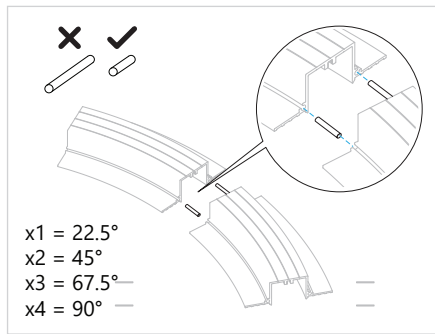
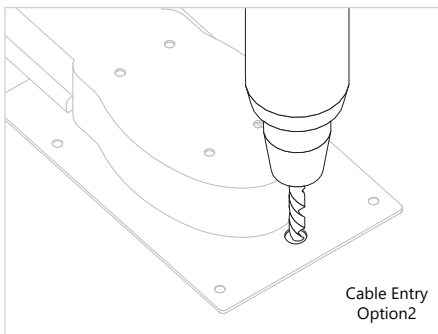
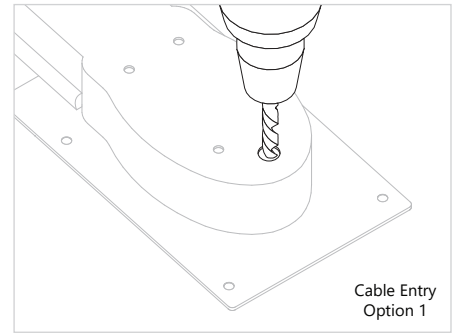
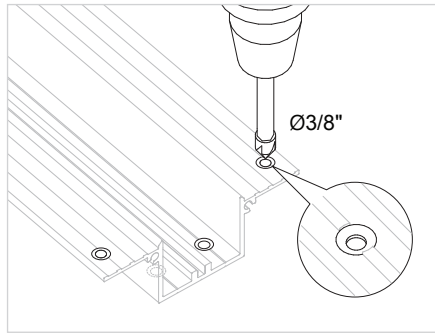
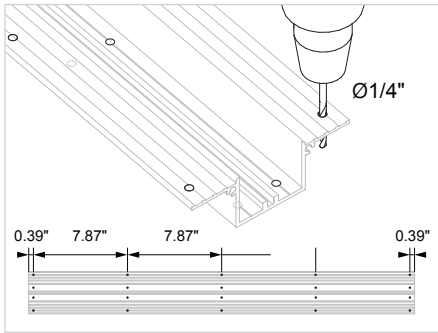


EXAMPLE CABLE ENTRY OPTIONS



INSTALLING BLINDSPACE® TRACKTRIM® FOR DRAPERY TRACKS

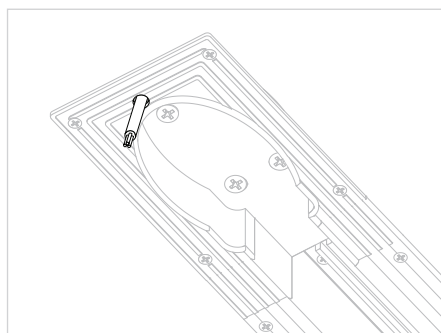
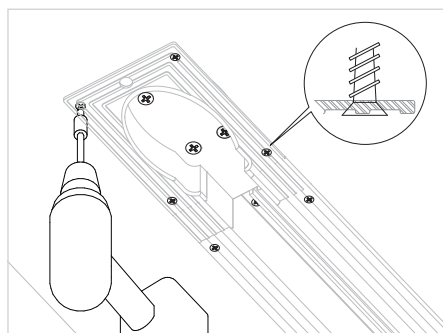
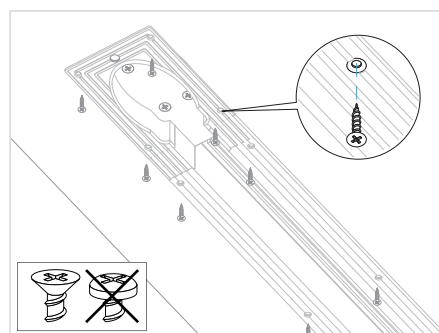
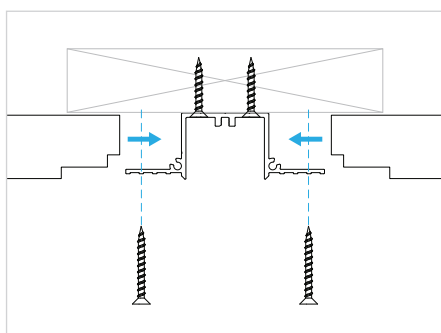
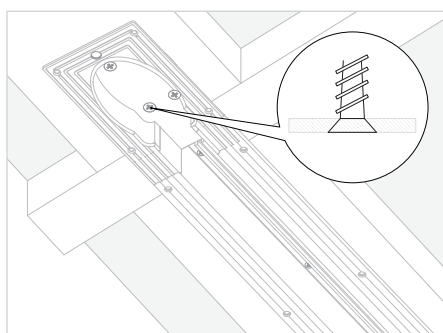
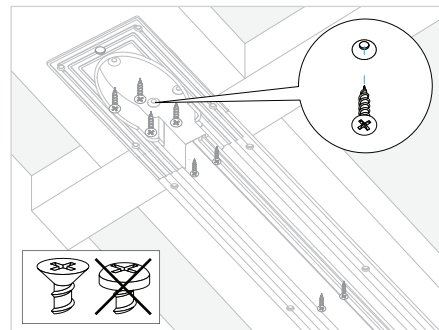
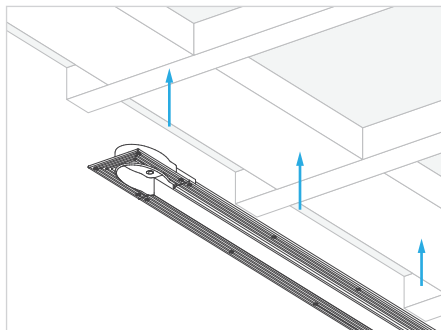
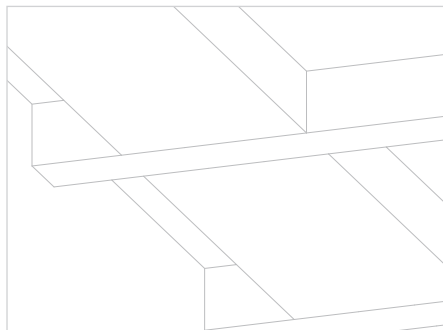
PREPARE TRACK



INSTALLING BLINDSPACE® TRACKTRIM® FOR DRAPERY TRACKS

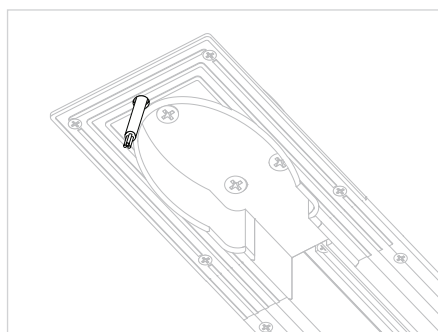
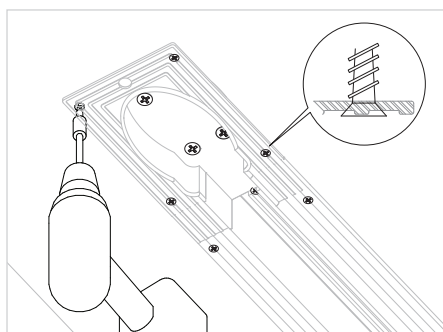
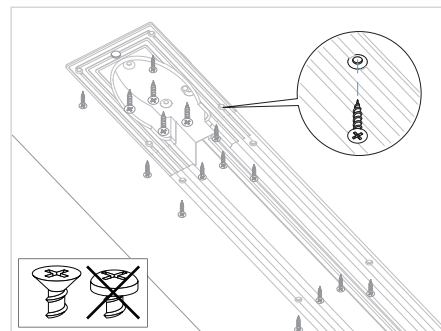
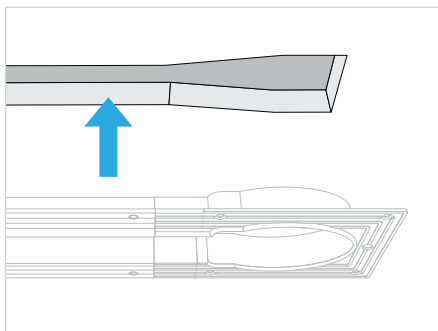
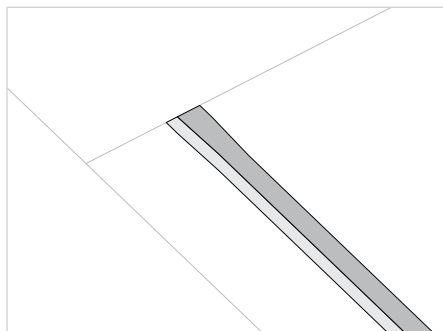
INSTALL TRACK

OPTION A

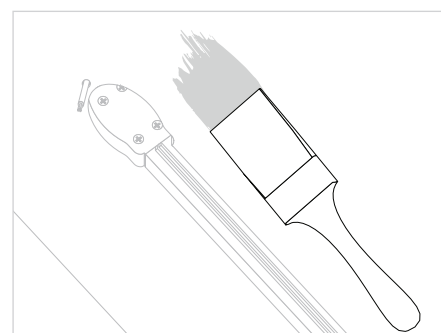
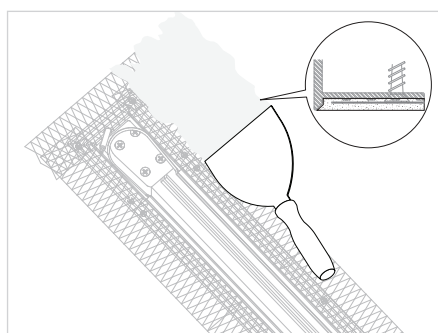
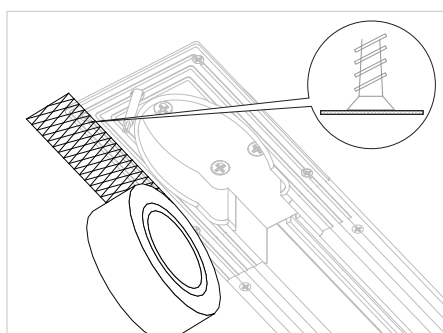


INSTALLING BLINDSPACE® TRACKTRIM® FOR DRAPERY TRACKS

OPTION B



COMPLETE SURROUNDING CEILING



INSTALLING BLINDSPACE® TRACKTRIM® FOR DRAPERY TRACKS

INSTALL DRAPERY TRACK

