

# BL'NDSPACE<sup>®</sup>

FOR

## window *modes*



## TRACKTRIM

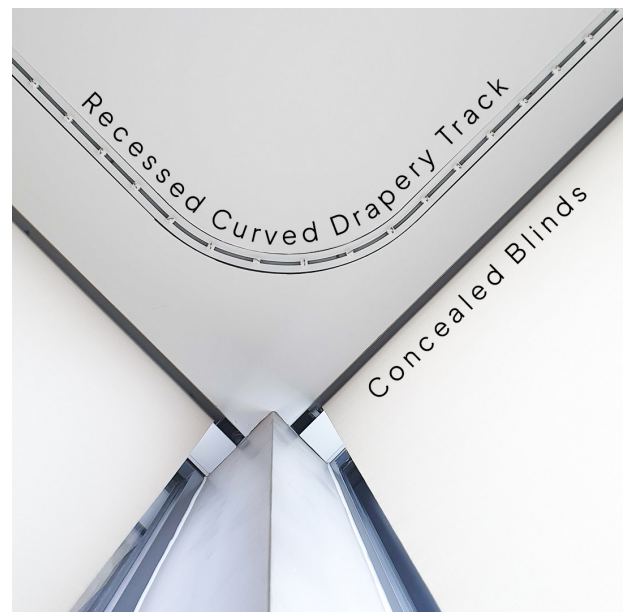
### SOLUTIONS TO RECESS **SOMFY** DRAPERY TRACKS

#### DESIGNED TO DISAPPEAR

Tracktrim<sup>®</sup> by Blindspace is a perfect fit solution to recess manual and electric drapery tracks. The track and end set are installed flush with the ceiling during construction to form a cavity matching the drapery system and can be painted to match the ceiling.

Standard curved sections are available to fit corners, curved walls, bay windows and other applications.

When drapery tracks are installed, the result is a minimalist design where drapery tracks fully blend in, flush with the ceiling.



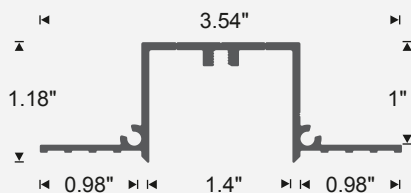
**MEASUREMENTS**

in inches

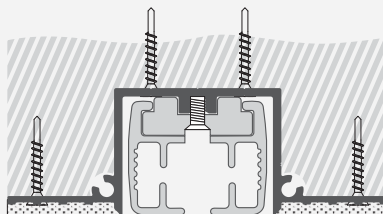
**SOLUTIONS TO RECESS SOMFY DRAPERY TRACKS**

[windowmodes.com/blindspace/tracktrim](http://windowmodes.com/blindspace/tracktrim)

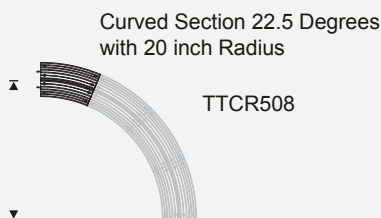
**Track with Screw Channel (TT1F)**



**Fixing of Tracktrim (TT1F) & Drapery Track**



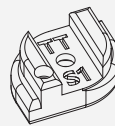
**Curve Section**



**Accessories**

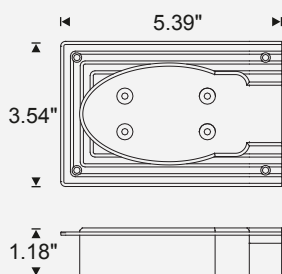


SPLI1  
Splice Pin

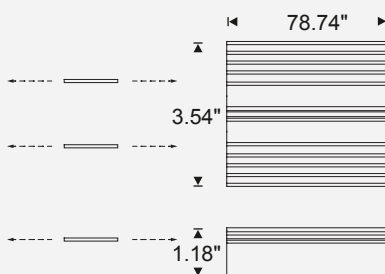


TTS1  
Fixing Bracket

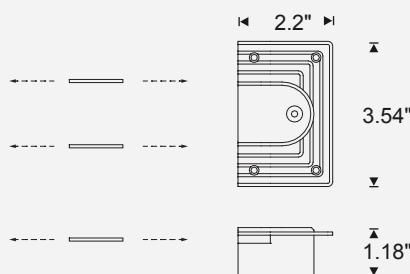
**Motor End (TTSMB1F)**



**Track with Flanges (TT1F)**



**Return End (TTSRB1F)**



**Distributor**

Blindspace for Window Modes  
 Web: [windowmodes.com/blindspace](http://windowmodes.com/blindspace)  
 Email: [blindspace@windowmodes.com](mailto:blindspace@windowmodes.com)  
 Phone: 914-665-4545

**Description**

Solutions to recess manual and electric electric drapery tracks and end sets, with no visible bracketry.

**Product Reference**

Tracks: TT1F  
 End-sets: TTSMB1F/TTSIMB1F/TTSRB1F  
 Fixing Bracket: TTS1  
 Curve sections: TTCR508  
 Example: TTSMB1F, TTSIMB1F & TTSRB1F

**Fixing**

Anchoring with countersink screws through profile and flanges every 200mm. Finished plaster level flush with chamfered edge and ceiling.

**Material**

Tracks in Aluminium, EN 6060 T66  
 End-sets & curves in Plastic POM Polymer

**Finish**

White to be plastered in and decorated at site to match ceiling.

**FEATURES**

**Centered drapery tracks with no visible fixing brackets**

In contrast to solutions using a wedge along the side of the drapery track, TrackTrim® are fixed through the drapery track for minimum visual impact.

**Perfect-fit end-set to match motor and return ends**

End sets are designed and manufactured to perfectly fit with motor and belt return ends.

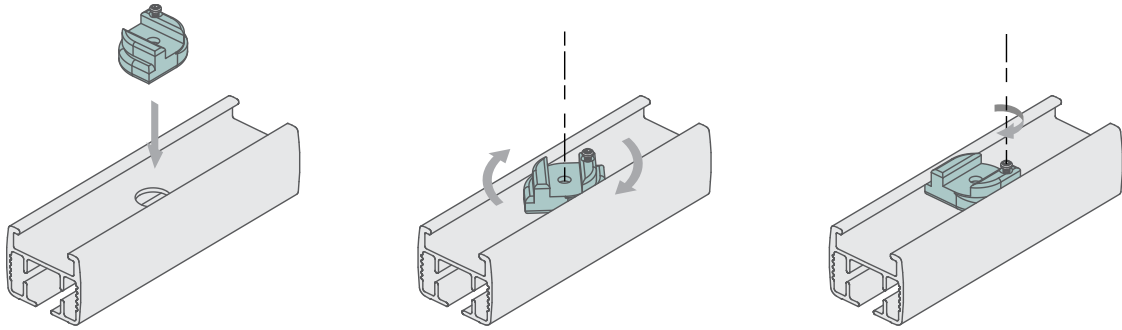
**Seamless appearance after painting**

Plaster is feathered over skim coat flanges to hide the track and end-set, leaving only an open cavity for installation of drapery system.

**Splice Pins to connect different profiles**

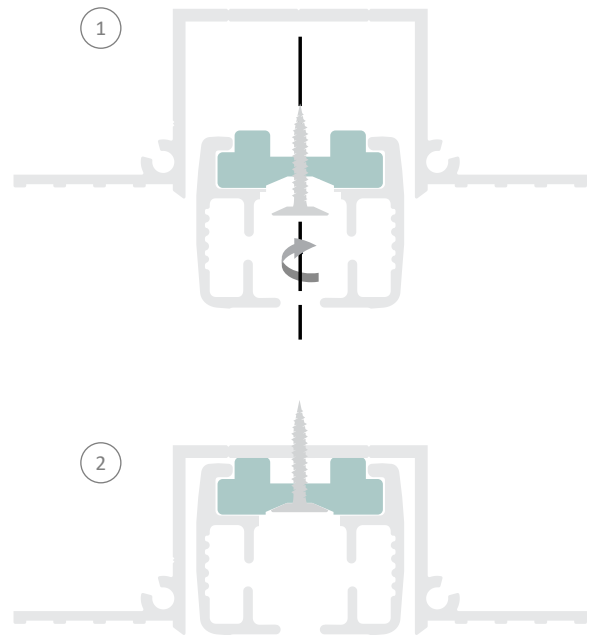
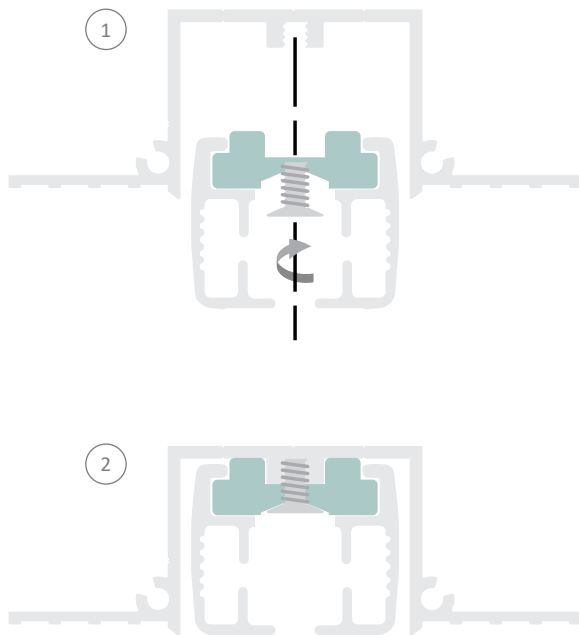
Splice Pins are used to connect the endsets to the main Tracktrim profile and also to the different curved sections.



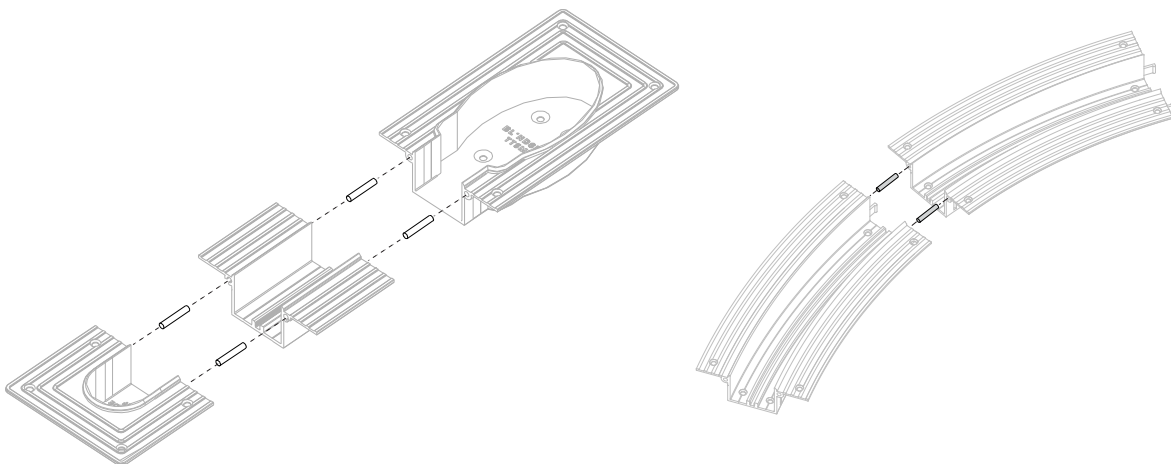


Fixing to TT1F

Fixing to TT2F, Optional Fixing to TT1F



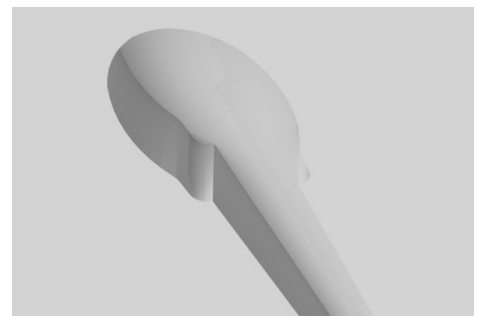
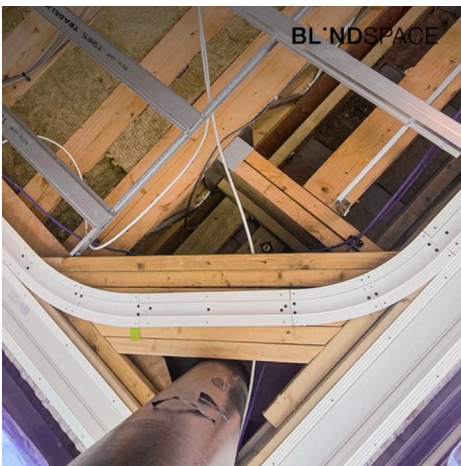
Connecting Sections using Splice Pins





# TRACKTRIM

## SOLUTIONS TO RECESS SOMFY DRAPERY TRACKS



**BL'NDSPACE**<sup>®</sup>  
— FOR —  
**windowmodes**