

BL'NDSPACE®

FOR

window *modes*



TRACKTRIM

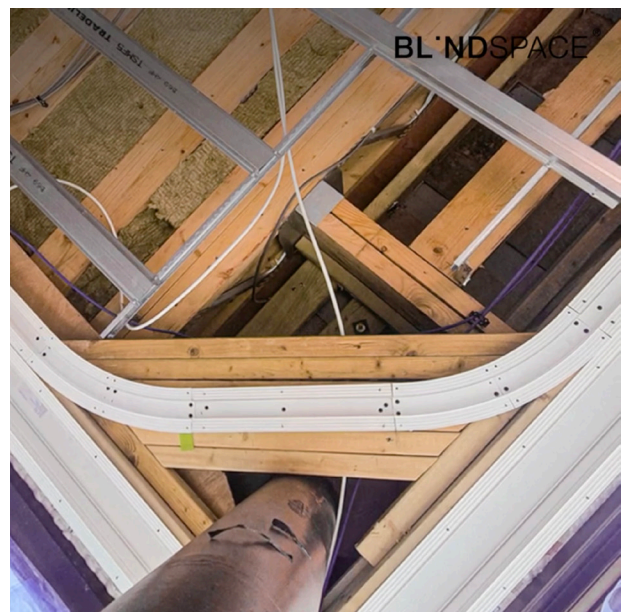
SOLUTIONS TO RECESS LUTRON DRAPERY TRACKS

DESIGNED TO DISAPPEAR

Tracktrim® by Blindspace is a perfect fit solution to recess manual and electric drapery tracks. The track and end set are installed flush with the ceiling during construction to form a cavity matching the drapery system and can be painted to match the ceiling.

Standard curved sections are available to fit corners, curved walls, bay windows and other applications.

When drapery tracks are installed, the result is a minimalist design where drapery tracks fully blend in, flush with the ceiling.



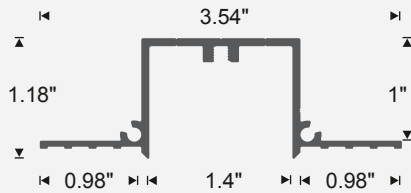
MEASUREMENTS

in inches

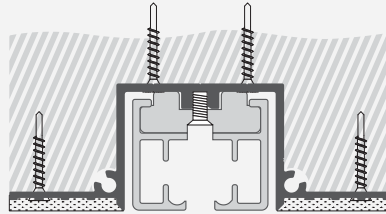
SOLUTIONS TO RECESS LUTRON DRAPERY TRACKS

windowmodes.com/blindspace/tracktrim

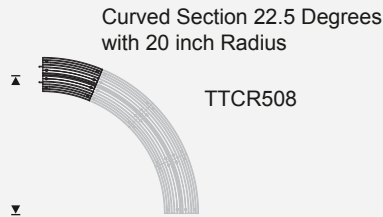
Track with Screw Channel (TT1F)



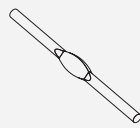
Fixing of Tracktrim (TT1F) & Drapery Track



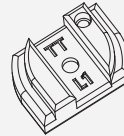
Curve Section



Accessories

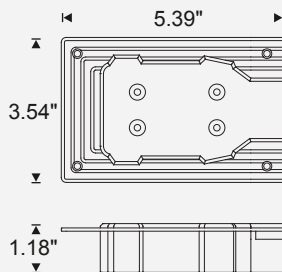


SPL1
Splice Pin

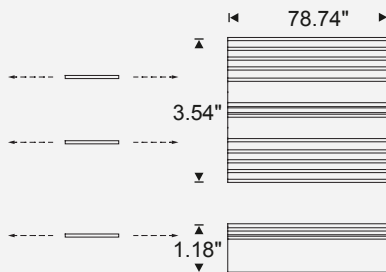


TTL1
Fixing Bracket

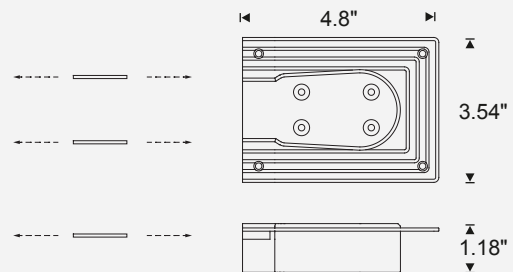
Motor End (TTLMB1F)



Track with Flanges (TT1F)



Return End (TTLRB1F)



Distributor

Blindspace for Window Modes
 Web: windowmodes.com/blindspace
 Email: blindspace@windowmodes.com
 Phone: 914-665-4545

Description

Solutions to recess manual and electric electric drapery tracks and end sets, with no visible bracketry.

Product Reference

Tracks: TT1F
 End-sets: TTLMB1F/TTLRB1F
 Fixing Bracket: TTL1
 Curve sections: TTCR508
 Example: TT1F with TTLMB1F & TTLRB1F

Fixing

Anchoring with countersink screws through profile and flanges every 200mm. Finished plaster level flush with chamfered edge and ceiling.

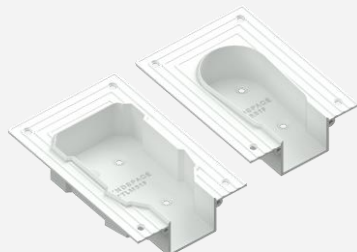
Material

Tracks in Aluminium, EN 6060 T66
 End-sets & curves in Plastic POM Polymer

Finish

White to be plastered in and decorated at site to match ceiling.

FEATURES



Centered drapery tracks with no visible fixing brackets

In contrast to solutions using a wedge along the side of the drapery track, TrackTrim® are fixed through the drapery track for minimum visual impact.

Perfect-fit end-set to match motor and return ends

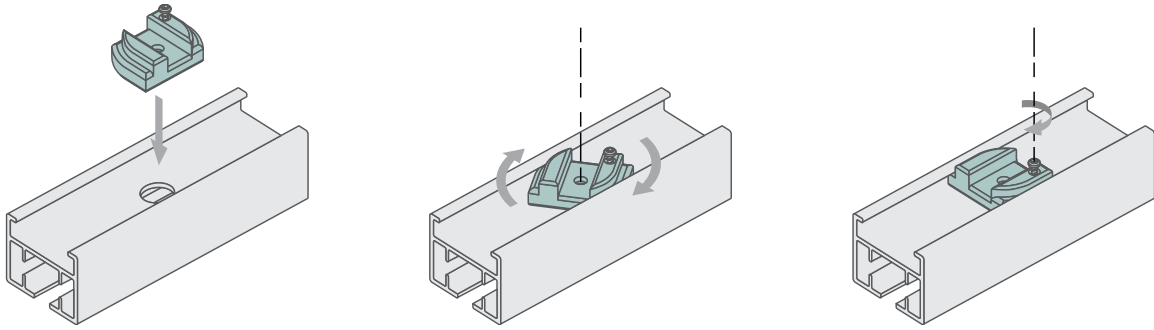
End sets are designed and manufactured to perfectly fit with motor and belt return ends.

Seamless appearance after painting

Plaster is feathered over skim coat flanges to hide the track and end-set, leaving only an open cavity for installation of drapery system.

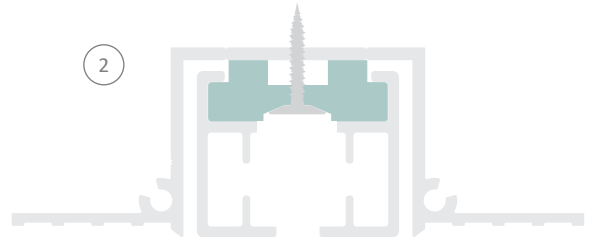
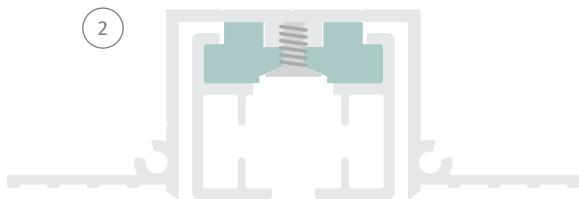
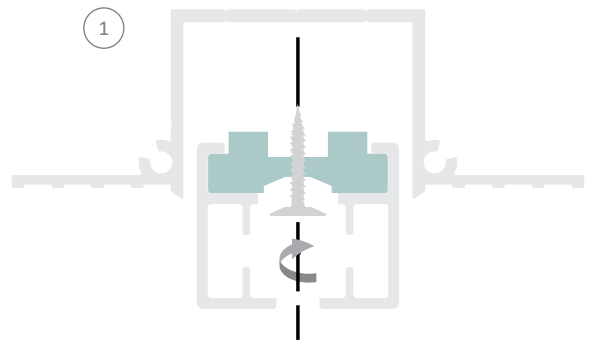
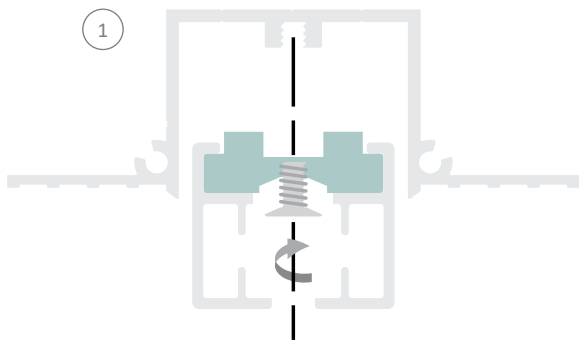
Splice Pins to connect different profiles

Splice Pins are used to connect the endsets to the main Tracktrim profile and also to the different curved sections.

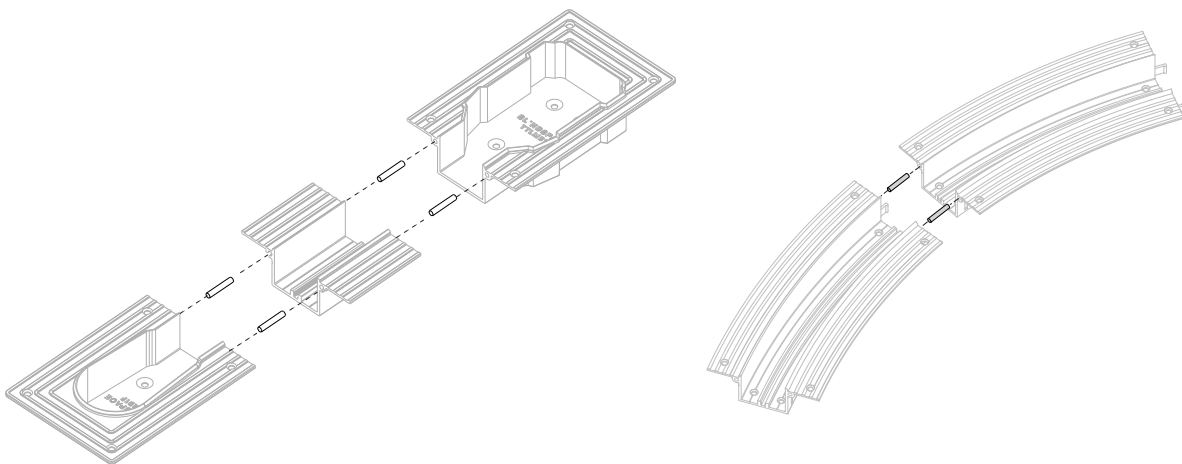


Fixing to TT1F

Fixing to TT2F, Optional Fixing to TT1F

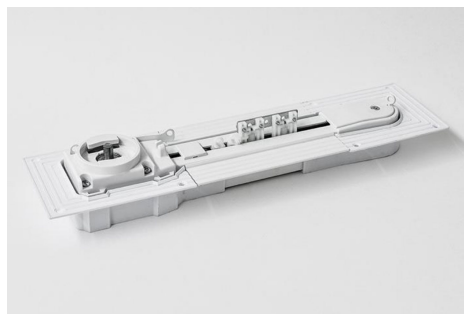
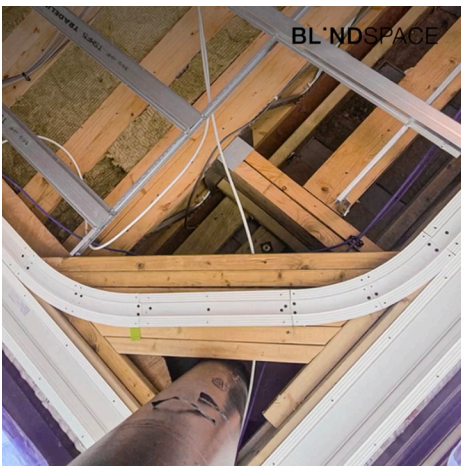


Connecting Sections using Splice Pins



TRACKTRIM

SOLUTIONS TO RECESS LUTRON DRAPERY TRACKS



BL'NDSPACE[®]
FOR
windowmodes