

BL'NDSPACE[®]

FOR

window *modes*



S SERIES

STANDARD FOR HIDING ROLLER SHADES

DESIGNED TO DISAPPEAR

Blindspace[®] S Series is a concealment box made to hide roller shades with minimal visual impact. The box is installed during construction with the space accessible for shades installation when the room is completed.

It features the patented Blindspace[®] Safety Hinge that secures the cover in place and can be installed in any direction, allowing for side boxes to hide shade side channels or guide wires.

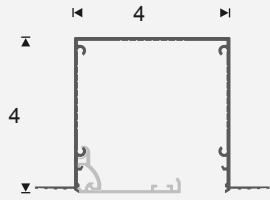
Popular in floor-to-ceiling windows and sliding doors, S Series can be installed to future-proof buildings to have the option for later installation of concealed shades.



MEASUREMENTS
in inches

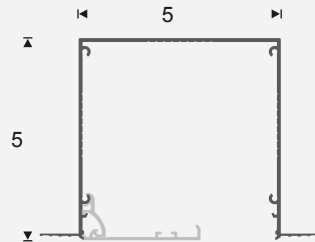
S100x100 Headbox

Shades up to ~2400 wide*
* Shade sizes depend on shade products used, boxes provided up to 6000 wide.



S130x130 Headbox

Shades up to ~4000 wide*
ZIP type shades up to ~2500 wide*



Accessories



Clip-on Hinge Splice Pin Splice Plate

Clip-on Hinge to connect boxes and cover flaps.
Splice Pin to align and connect multiple boxes.
Splice Plate to align multiple cover flaps.

Cover	Opening
2.5"	1.14"

Cover	Opening
3.7"	1.14"

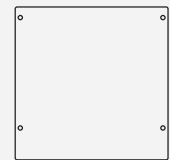
End Caps

4 x 4



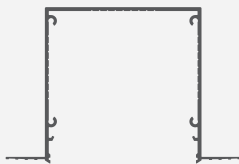
SEC100x100

5 x 5

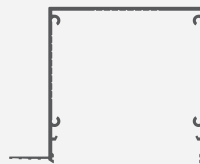


SEC130x130

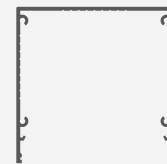
Box Corners



SS - Skim Coat Flanges on both sides
EXAMPLE: S100x100SS



SN - Skim Coat Flange on one side
EXAMPLE: S100x100SN



NN - No Flange
EXAMPLE: S100x100NN

Distributor

Blindspace for Window Modes
Web: windowmodes.com/blindspace
Email: blindspace@windowmodes.com
Phone: 914-665-4545

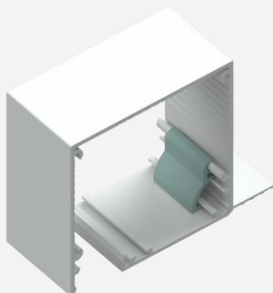
Description

Concealment system to hide roller shades or to future-proof windows for installation of shades, with safety hinge that secures the cover in place.

Material & Finish

Aluminium, EN 6063 T6
Powder coated white RAL9016, 30% gloss
Powder coated to specific RAL colour
Raw aluminium

FEATURES



Seamless appearance after painting

Plaster is feathered over skim coat flanges to hide the box leaving only a thin hairline between the ceiling and the Blindspace® cover.

Cover painted to match window or ceiling

The cover can be provided in specific RAL colour or painted at site with primer and emulsion paint, to match window or ceiling.

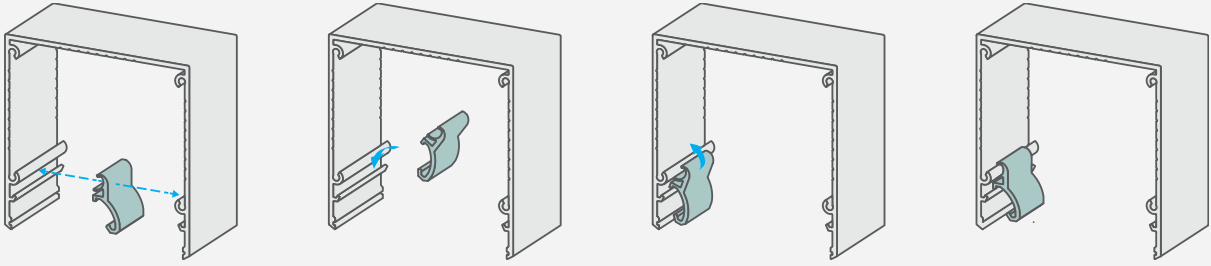
Safety hinge securing the cover in place

The safety hinge can be installed on either side of the box and ensure that the cover is not falling to the floor if accidentally opened.

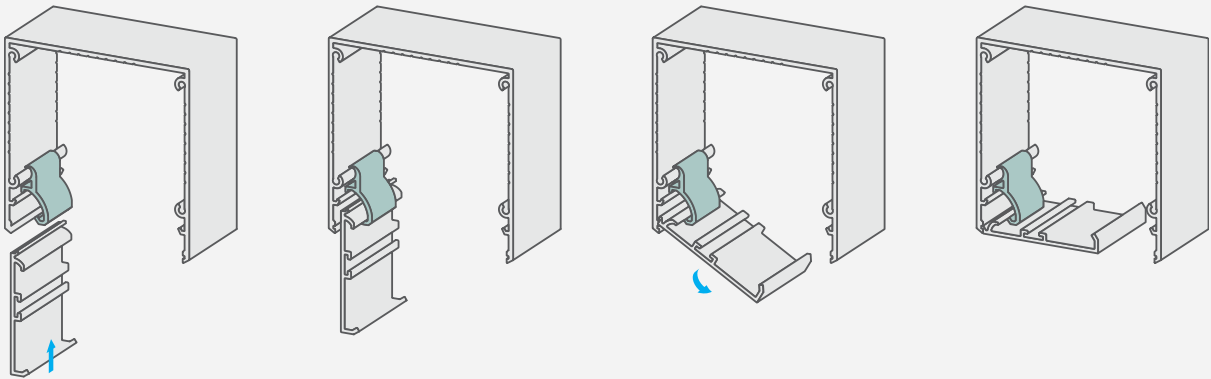
Cut to finished length, maximum 6m

Blindspace boxes and covers are supplied by manufacturer cut to finished length or in 3m or 6m lengths. Splice pins and plates are supplied to align multiple boxes and covers.

Installing Hinge

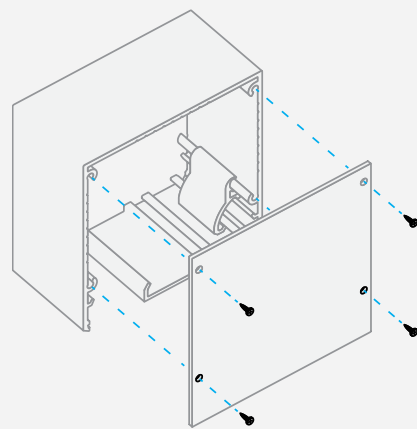
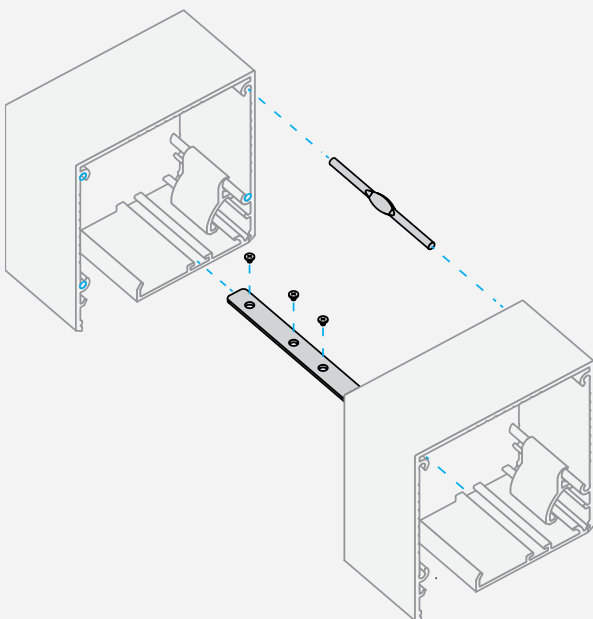


Installing Cover



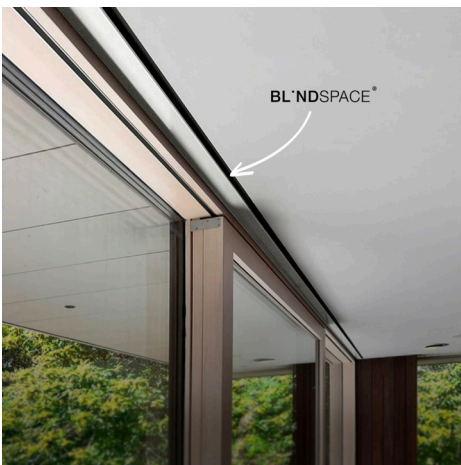
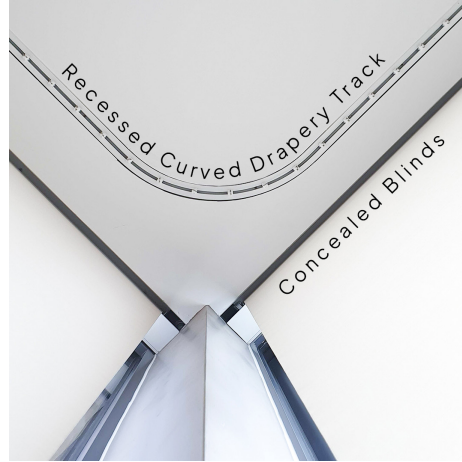
Joining Boxes

Installing End Cap



S SERIES

STANDARD FOR HIDING ROLLER SHADES



BL'NDSPACE®
FOR
windowmodes