

# C SERIES

CUSTOM SIZES  
FOR ALL SHADE TYPES



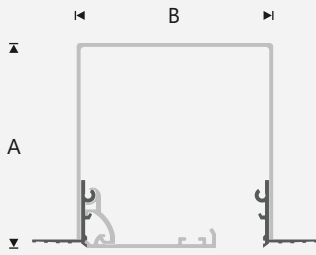
## DESIGNED TO DISAPPEAR

Blindspace® C Series boxes can be made to any size, to conceal all types of shades, achieving minimal visual impact. The box is installed during construction with the space accessible for shade installation once the room is completed. It features the patented Blindspace® Safety Hinge that secures the cover in place and can be installed in any direction, together with side boxes to hide shade side channels and/or guide wires. Custom C Series boxes are used for very large shades, double shades, gable shades and skylight shades. C Series boxes can also be installed to future-proof buildings to have the option to install concealed shades later.

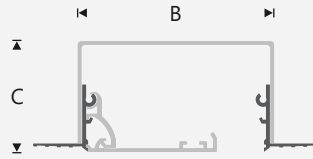
**BLINDSPACE®**  
FOR  
**windowmodes**

Web: [windowmodes.com/blindspace](http://windowmodes.com/blindspace) Email: [blindspace@windowmodes.com](mailto:blindspace@windowmodes.com) Phone: 914-665-4545

**Custom Head Box**



**Custom Side Box**



**Accessories**



Clip-on Hinge      Splice Pin      Splice Plate

Clip-on Hinge to connect boxes and cover flaps.  
Splice Pin to align and connect multiple boxes.  
Splice Plate to align multiple cover flaps.

**Box Corners**



**S** - Skim coat flange.



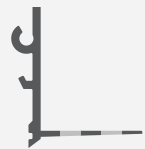
**U** - Upstand flange.



**V** - Visible plain flange.



**N** - No flange.



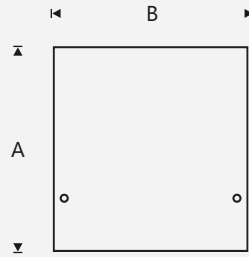
**P** - Perforated flange.

**Cover Flaps**

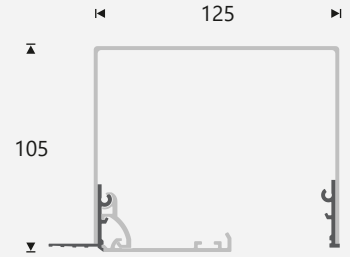
**Cover**

2.56"	
2.95"	
3.35"	
3.74"	
4.53"	
4.92"	
5.91"	
2.87"	

**Custom End Cap**



**Example C125x105SN Headbox**



**Distributor**

Blindspace for Window Modes  
Web: windowmodes.com/blindspace  
Email: blindspace@windowmodes.com  
Phone: 914-665-4545

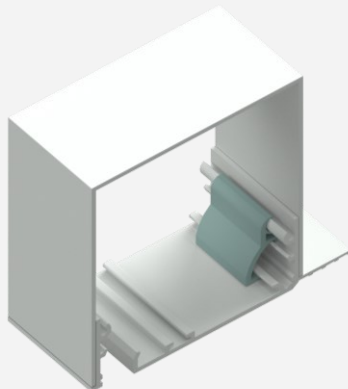
**Description**

Concealment system to hide roller shades or to future-proof windows for installation of shades, with safety hinge that secures the cover in place.

**Material & Finish**

Aluminium, EN 6063 T6  
Powder coated white RAL9016, 30% gloss  
Powder coated to specific RAL colour  
Raw aluminium

**FEATURES**



**Seamless appearance after painting**

Plaster is feathered over skim coat flanges to hide the box leaving only a thin hairline between the ceiling and the Blindspace® cover.

**Cover painted to match window or ceiling**

The cover can be provided in specific RAL colour or painted at site with primer and emulsion paint, to match window or ceiling.

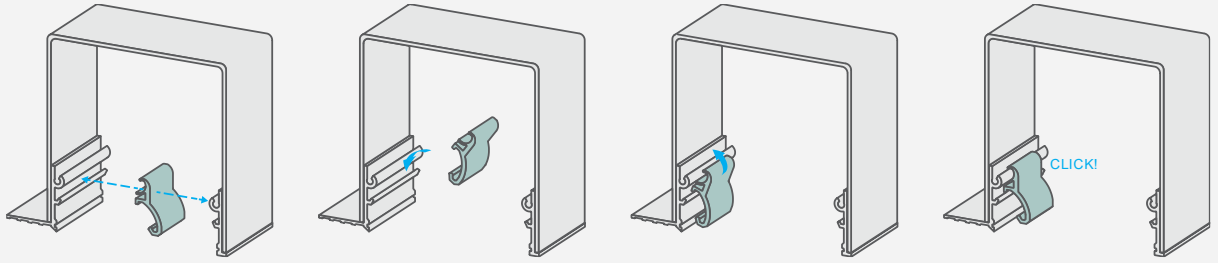
**Safety hinge securing the cover in place**

The safety hinge can be installed on either side of the box and ensure that the cover is not falling to the floor if accidentally opened.

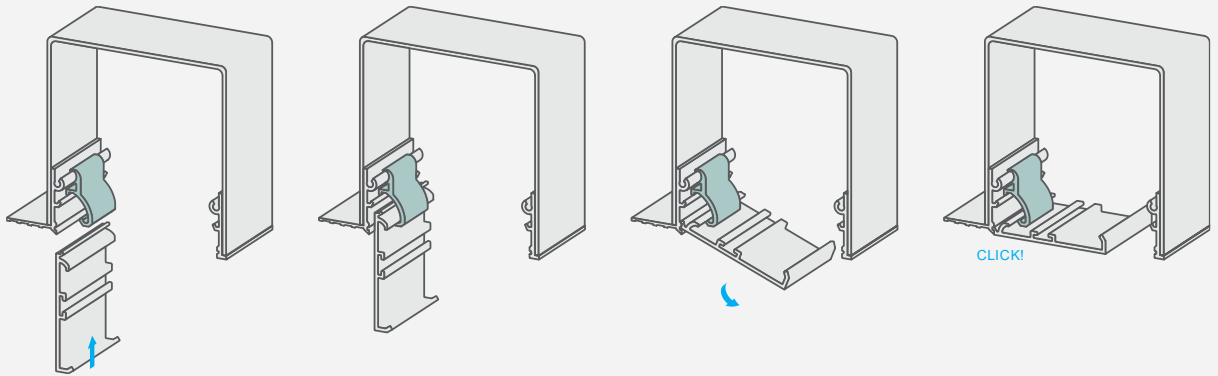
**Cut to finished length, maximum 6m**

Blindspace boxes and covers are supplied by manufacturer cut to finished length or in 3m or 6m lengths. Splice pins and plates are supplied to align multiple boxes and covers.

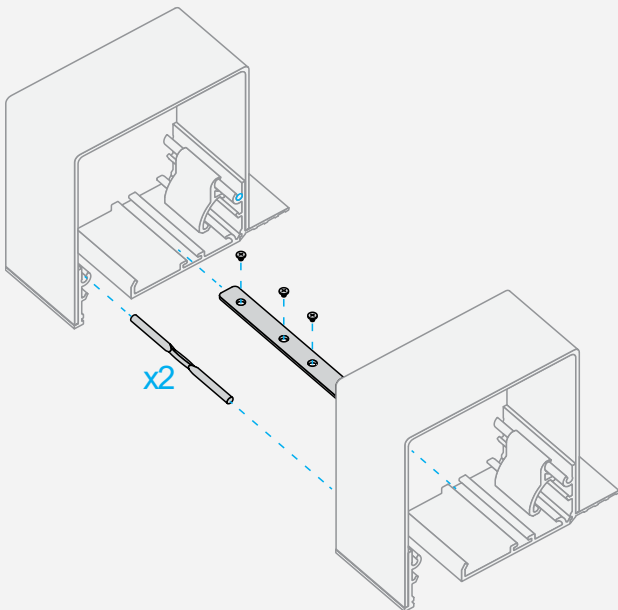
### Installing Hinge



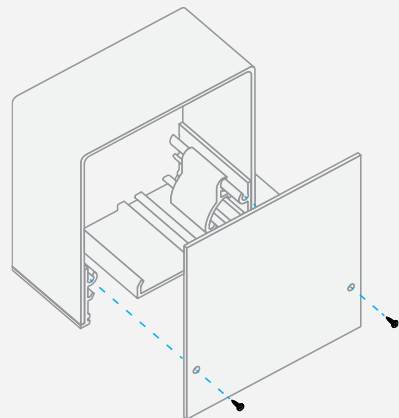
### Installing Cover



### Joining Boxes



### Installing End Cap





Blindspace® Custom sizes – different in all windows and skylight.



Blindspace® Two stacked frames using C155x130NN.



Blindspace® Bespoke S-shaped mid-level pelmet. C110x50SS on sides.



Blindspace® Bespoke S-shaped mid-level pelmet. C110x50SS on sides.



Blindspace® C210x270SS on opposite sides. C210x50SS for side boxes.



Blindspace® C220x130SS



Blindspace® C110x200SS sloping headboxes for shaped blinds.



Blindspace® C110x200SS sloping headboxes for shaped blinds.